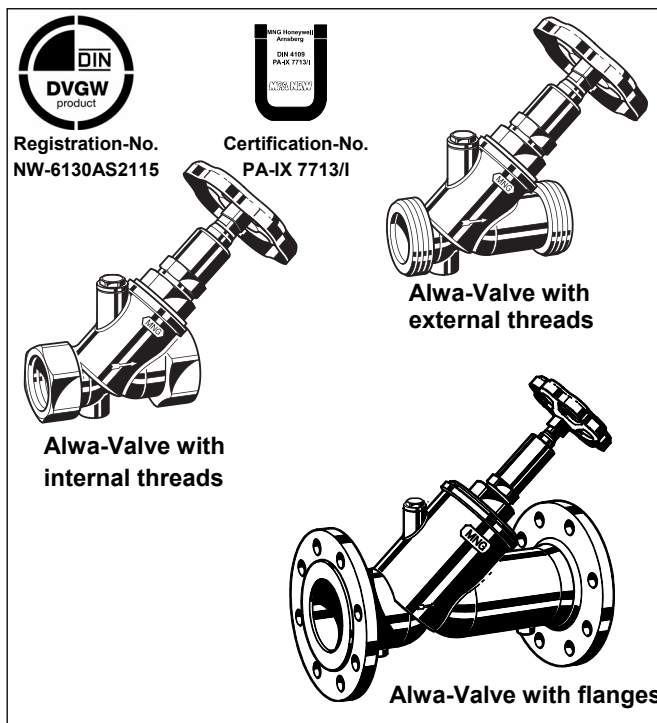


ALWA Valves

V4000 Alwa-Valve SHUTOFF VALVE

PRODUCT DATA



Application

The Alwa-valve is used as shut-off valve in potable water installations. The downstream installation is isolated by shutting off the valve with the handwheel.

The valve insert is available as spare part and fits into all valve housings with dimensions according to DVGW.

Alwa-valves are available with various pipe connections. Alwa-K valves are equipped with larger external threads specially suitable for pipe connections of various plastic pipes.

Valves with draining facility allow draining of the system over the valve.

Alwa-valves are DVGW-certified under registration-no. NW-6130AS2115 and low noise according to DIN 4109.

Features

- All parts with contact to the flow made of corrosion-resistant red bronze
- Permanent easy operation due to isolated spindle
- Maintenance-free spindle sealing with additional back sealing
- Cavity-free valve insert
- PTFE seat sealing
- Valve housing PN16
- Draining facility optionally available
- Various pipe connections

Specifications

Medium	Water
Operating temperature	max. 130°C (266°F)
Operating pressure	max. 16 bar (232 p.s.i.)
kvs-values	see 'Dimensions' on page 2 and 3

Design

The Alwa-Valve consists of:

- Y-pattern valve housing. Available pipe connections see 'Dimensions' on page 2 and 3 and 'Ordering information' on page 4
- Valve insert
- Handwheel
- Pipe connection (accessory)
- Draining facility (optional)

Materials

- Valve housing made of red bronze
- Valve insert made of red bronze and brass
- Handwheel made of sheet steel, painted green or red (Alwa-F)
- O-rings and soft seals made of EPDM
- Seat sealing made of PTFE
- Optional draining facility made of red bronze, brass and plastic.

Dimensions (all dimensions in mm unless otherwise stated)

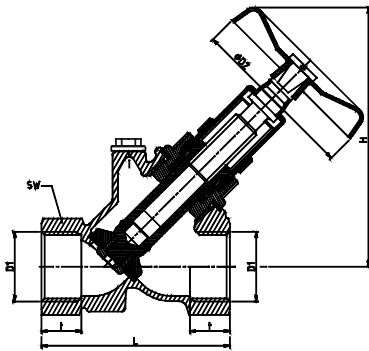


Fig. 1. Alwa-Valve with internal threads

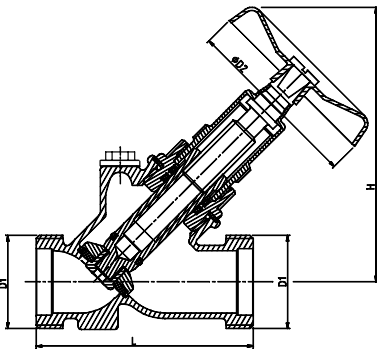


Fig. 2. Alwa-Valve with external threads

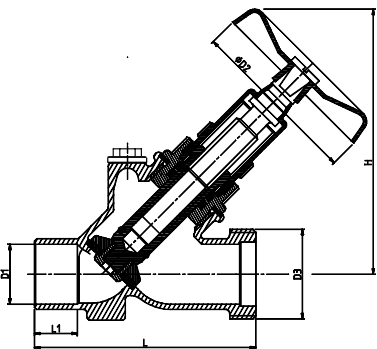


Fig. 3. Alwa-Valve with soldering connection on inlet and external thread with nut and soldering tailpiece on outlet

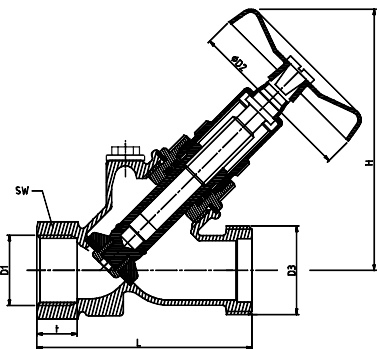


Fig. 4. Alwa-Valve with internal thread on inlet and external thread on outlet

Table 1. Dimensions Alwa-Valve with internal threads

DN	kvs	D1	D2	H	L	SW	t
15	6,3	R 1/2"	50	95	65	27	15,0
20	14,4	R 3/4"	50	105	75	32	16,3
25	23,0	R 1"	80	125	90	41	19,1
32	43,4	R 1 1/4"	80	145	110	50	21,4
40	54,4	R 1 1/2"	80	160	120	55	21,4
50	81,0	R 2"	80	185	150	70	25,7

Table 2. Dimensions Alwa-Valve with external threads

DN	kvs	D1	D2	H	L
15	6,3	G 3/4"	50	95	70
20	13,4	G 1"	50	105	81
25	21,6	G 1 1/4"	80	125	98
32	37,0	G 1 1/2"	80	145	117
40	51,6	G 1 3/4"	80	160	130
50	81,0	G 2 3/8"	80	185	152
65	132	G 3"	120	230	205
80	193	G 3 1/2"	120	255	234

Table 3. Dimensions Alwa-Valve with soldering connection on inlet and external thread with nut and soldering tailpiece on outlet

DN	kvs	D1	D2	D3	H	L
15	6,3	15	50	G 3/4"	95	70
20	13,4	22	50	G 1"	105	89
25	21,6	28	80	G 1 1/4"	125	104
32	37,0	35	80	G 1 1/2"	145	128
40	51,6	42	80	G 1 3/4"	160	142
50	81,0	54	80	G 2 3/8"	185	169

Table 4. Dimensions Alwa-Valve with internal thread on inlet and external thread on outlet

DN	kvs	D1	D2	D3	H	L	SW
15	6,3	R 1/2"	50	G 3/4"	95	71,5	27
20	14,4	R 3/4"	50	G 1"	105	84,5	32
25	23,0	R 1"	80	G 1 1/4"	125	102	41
32	40,0	R 1 1/4"	80	G 1 1/2"	145	122	50
40	51,9	R 1 1/2"	80	G 1 3/4"	160	134	55
50	85,4	R 2"	80	G 2 3/8"	185	160	70

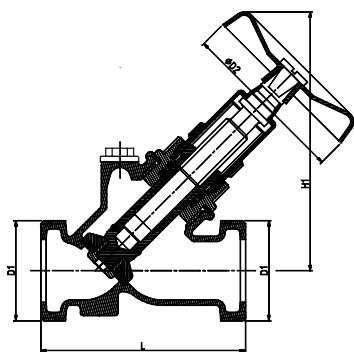


Fig. 5. Alwa-K with external threads for plastic pipe

Table 5. Dimensions Alwa-K with external threads for plastic pipe

DN	kvs	D1	D2	H	L
15	6,3	G 1"	50	95	70
20	13,4	G 1 1/4"	50	105	81
25	21,6	G 1 1/2"	80	125	98
32	37,0	G 2"	80	145	117
40	51,6	G 2 1/4"	80	160	130
50	81,0	G 2 3/4"	80	185	152

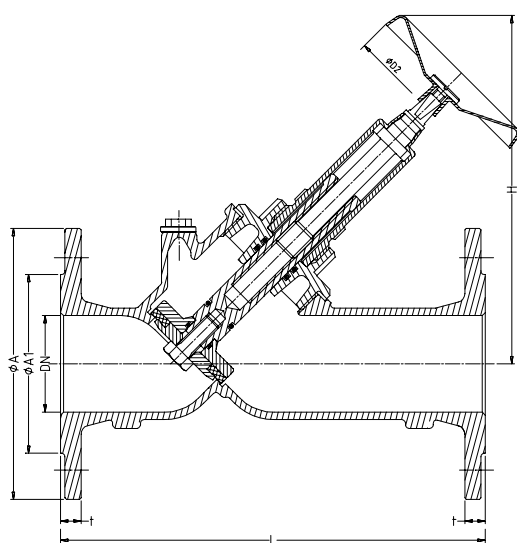


Fig. 6. Alwa-F with flanges

Table 6. Dimensions Alwa-F with flanges

DN	kvs	L	t	A	A1	H	D2
15	6,3	130	10	95	45	95	50
20	14,4	150	11	105	58	105	50
25	23,0	160	11	115	68	125	80
32	40,0	180	12	140	78	145	80
40	51,5	200	12	150	88	160	80
50	85,4	230	14	165	102	185	80
65	132,0	290	14	185	122	240	120
80	193,0	310	15	200	138	265	120
100	251,0	350	18	220	158	410	140
125	320,0	400	26	250	188	415	225
150	460,0	480	26	285	212	505	250

Ordering information

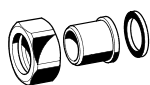
Table 7. Ordering information and OS-Nos. (OS = ordering system)

Ordering text	OS-No.	DN	15	20		25	32	40	50	65	80	100	125	150
		mm	15	18	22	28	35	42	54	—	—	—	—	—
		R	1/2"	3/4"	3/4"	1"	1 1/4"	1 1/2"	2"	2 1/2"	3"	4"	4 1/2"	5"
Alwa-Valve with internal threads -														
- closed valve body	V4000YY...			020		025	032	040	050					
- with blind plug	V4020YY...	015	018	020	025	032	040	050						
Alwa-Valve with external threads -														
- with blind plug	V4020XX...	015		020	025	032	040	050	065	080				
Alwa-Valve with internal thread on inlet and external thread on outlet -														
- with blind plug	V4010YX...	015		020	025	032	040	050						
Draining valve, with cap and chain	V4019XY...	015		020										
Alwa-Valve with soldering connection on inlet and external thread with nut and soldering tailpiece on outlet -														
- with blind plug	V4020SS...	015	018	020	025	032	040	050						
Alwa-K valve for plastic pipe -														
- with blind plug	V4020KK...	015		020	025	032	040	050						
Alwa-F valve with flanges -														
- closed valve body	V4020FF...											100	125	150
- with blind plug	V4020FF...	015		020	025	032	040	050	065	080				

Accessories

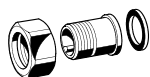
Connections for external threads

Union nut, sealing and red bronze soldering tailpiece for external threads



DN15, for 15 mm pipe-Ø	VA7400A015
DN15, for 18 mm pipe-Ø	VA7400A016
DN20, for 18 mm pipe-Ø	VA7400A018
DN20, for 22 mm pipe-Ø	VA7400A020
DN25, for 28 mm pipe-Ø	VA7400A025
DN32, for 35 mm pipe-Ø	VA7400A032
DN40, for 42 mm pipe-Ø	VA7400A040
DN50, for 54 mm pipe-Ø	VA7400A050
DN65, for 64 mm pipe-Ø	VA7400A064
DN65, for 70 mm pipe-Ø	VA7400A070
DN80, for 76 mm pipe-Ø	VA7400A076
DN80, for 80 mm pipe-Ø	VA7400A080
DN80, for 89 mm pipe-Ø	VA7400A089

Union nut, sealing and externally threaded red bronze tailpiece for external threads



for DN15	VA7401A015
for DN20	VA7401A020
for DN25	VA7401A025
for DN32	VA7401A032
for DN40	VA7401A040
for DN50	VA7401A050
for DN65	VA7401A065
for DN80	VA7401A080

Union nut with MAPRESS-fitting for external threads



DN15, for 15 mm pipe-Ø	VA7403A015
DN15, for 18 mm pipe-Ø	VA7403A018
DN20, for 22 mm pipe-Ø	VA7403A020
DN25, for 28 mm pipe-Ø	VA7403A025
DN32, for 35 mm pipe-Ø	VA7403A032
DN40, for 42 mm pipe-Ø	VA7403A040
DN50, for 54 mm pipe-Ø	VA7403A050
DN65, for 70 mm pipe-Ø	VA7403A065
DN80, for 89 mm pipe-Ø	VA7403A080

Union nut with Sanpress-fitting for external threads



DN15, for 15 mm pipe-Ø	VA7404A015
DN15, for 18 mm pipe-Ø	VA7404A018
DN20, for 22 mm pipe-Ø	VA7404A020
DN25, for 28 mm pipe-Ø	VA7404A025
DN32, for 35 mm pipe-Ø	VA7404A032
DN40, for 42 mm pipe-Ø	VA7404A040
DN50, for 54 mm pipe-Ø	VA7404A050

Union nut, sealing and internally threaded red bronze tailpiece for external threads

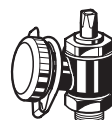


for DN15	VA7405A015
for DN20	VA7405A020
for DN25	VA7405A025
for DN32	VA7405A032
for DN40	VA7405A040
for DN50	VA7405A050

Brass hose connection for draining valves

for DN15	VA7406A015
for DN20	VA7406A020

Draining valve



from DN15 to DN25	VA3401A008
from DN32 to DN80	VA3401A010

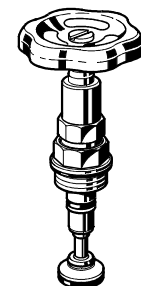
Service parts

Handwheel, green



for DN15 to DN20	VS2400A050
for DN25 to DN50	VS2400A080
for DN65 to DN80	VS2400A120

Valve insert for all valve housing according to DVGW



for valve housings DN15	VS1400A015
for valve housings DN20	VS1400A020
for valve housings DN25	VS1400A025
for valve housings DN32	VS1400A032
for valve housings DN40	VS1400A040
for valve housings DN50	VS1400A050
for valve housings DN65	VS1400A065
for valve housings DN80	VS1400A080

Honeywell

Automation and Control Products

Honeywell GmbH
Zu den Ruhrwiesen 3
D-59755 Arnsberg-Neheim

Phone: (49) 2932 9880
Fax: (49) 2932 988224
mng@honeywell.com

<http://www.alwa-valves.com>
<http://europe.hbc.honeywell.com>