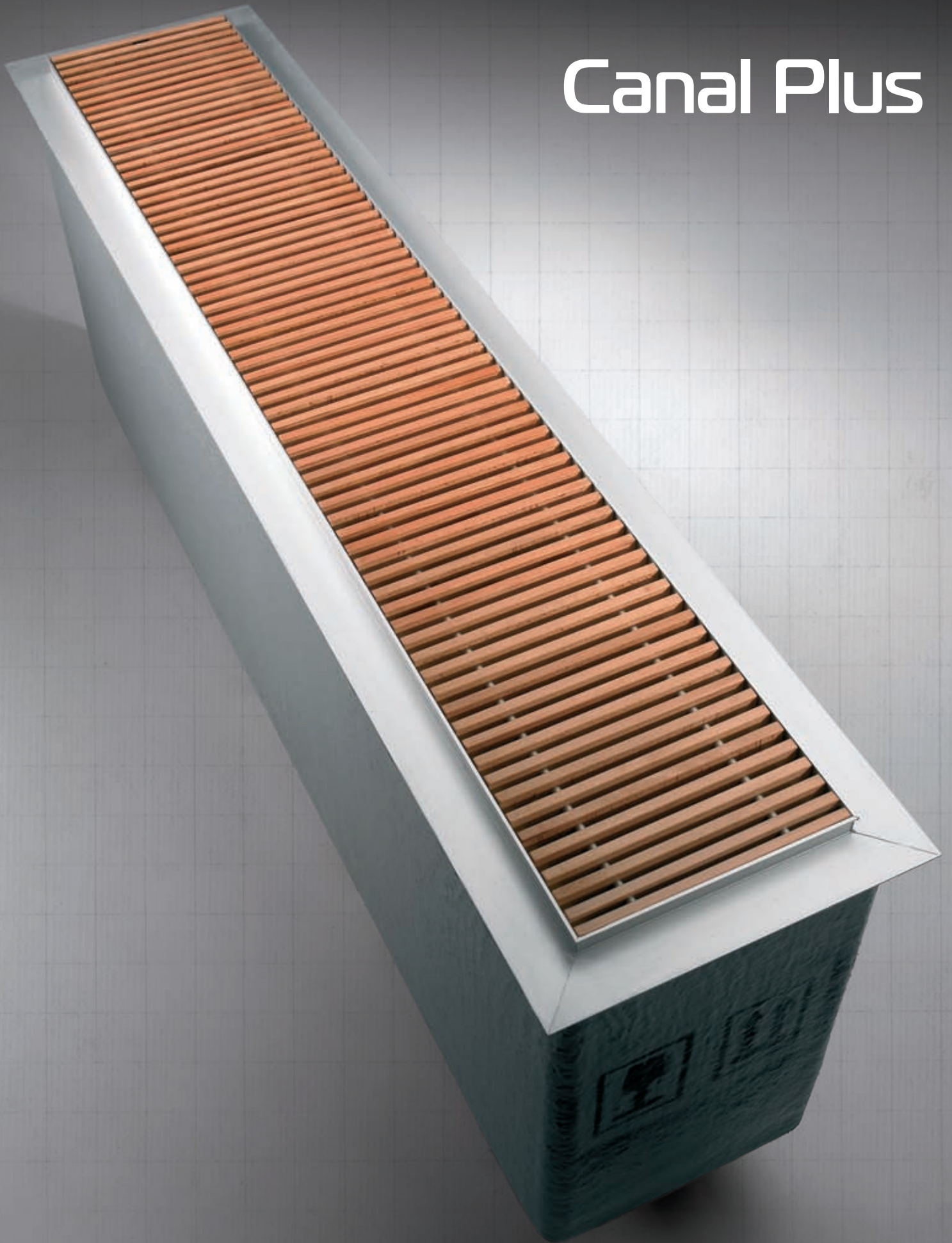
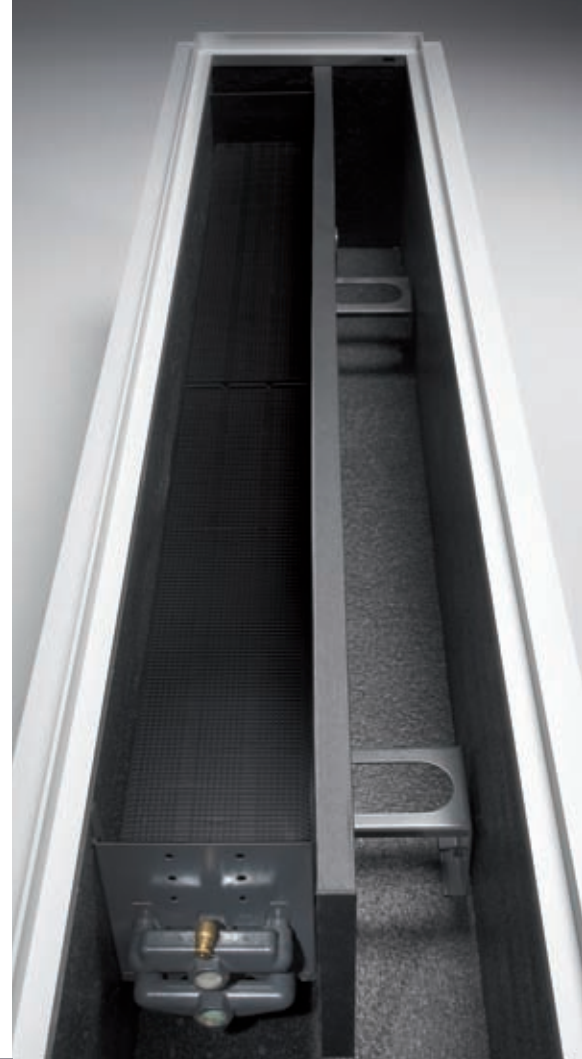
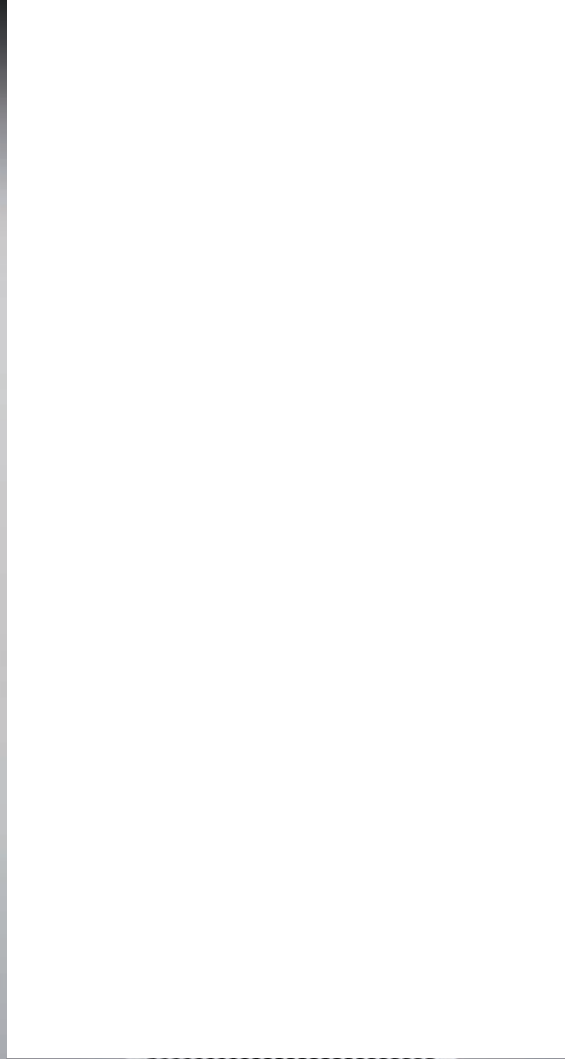


# Canal Plus

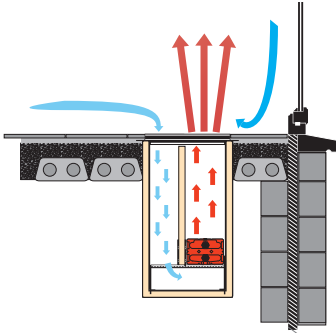




1. Complete Canal Plus underfloor unit
2. Heat exchanger and inside finish of the duct in dark grey
3. Enlarged range of grilles

## Canal Plus

### Operating principal

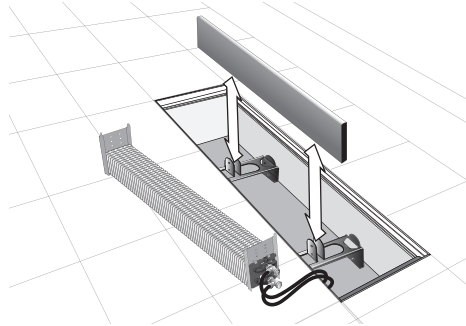


### Practical advice

Tests done by the Jaga Experience Lab and the Technical Department of the University of Eindhoven (The Netherlands) have proven that the most efficient heat output will be obtained when the heat exchanger is fitted on the window side of the duct. Ensure there is sufficient space between the duct and the window, as it is important that curtains do not hang over the duct. It is preferable that the heat exchanger covers the total length of the window.

## Options

### Flexible connection from stainless steel



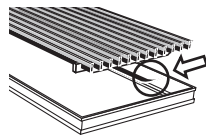
- makes the Low-H<sub>2</sub>O heat-exchanger detachable for maintenance after water-side connection.
- simple and fast assembly
- highest quality stainless steel
- length 60 cm (stretches to ± 1 m)
- 100% diffusion-proofed
- prevents squeezing shut in bends
- welded connection

#### CODE

CCFC.000060

Complete connection sets with or without flexible connections: see page 169.

### Cover strip



For aluminium and wood grilles. Black adhesive rubber strip, thickness 1 mm.

To hide the bottom edge of the frame and to avoid contact noises. Order the number of rolls required according to circumference of the frame: (width plus length) x 2.

#### CODE

7690.02 Roll 6 metre

### Extended air vent



For easy and rapid venting by Canal Plus and Canal Compact.

#### CODE

#### Canal Compact

5090.114078 R 1.5  
5090.114178 R 4.0

#### Canal Plus

height separation wall  
5090.114078 20 cm  
5090.114178 30 cm  
5090.114278 40 cm  
5090.114378 50 cm

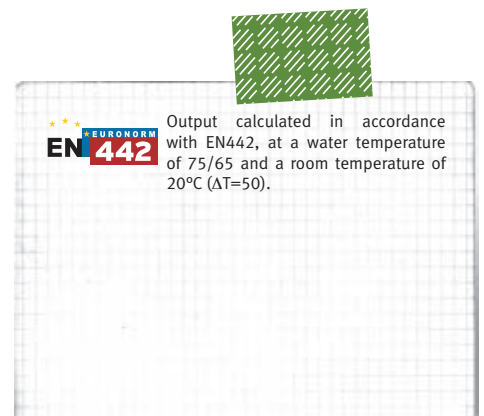
### Different length

See parts page 234/236.

Polyester ducts to 6 metres in one piece, metal ducts to 4 metres in one piece: unit can be put together from the parts list

### Different height and width

Price on request.



# Canal Plus\_Overview grilles

## Roll-up wooden grilles

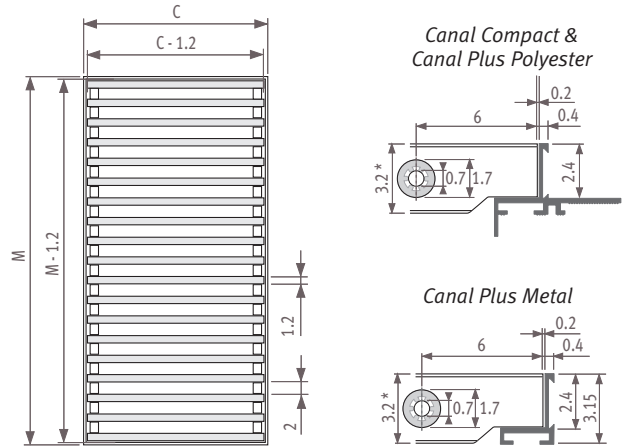
Merbau natural **RMN**    Oak natural **RON**    Beech natural **RBN**  
 Roll-up Merbau Natural    Roll-up Oak Natural    Roll-up Beech Natural



Merbau varnished **RMV**    Oak varnished **ROV**    Beech varnished **RBV**  
 Roll-up Merbau Varnished    Roll-up Oak Varnished    Roll-up Beech Varnished



Roll-up natural or varnished grille, with dark brown coloured synthetic distance pieces. Frame in black anodized aluminium. Free air flow 63%.



Dimensional tolerance width grille: +0/+0.2 cm

\* Up to and including width grille 40.8 cm: 2.4 cm  
 Beginning from width grille 44.8: 3.2 cm

## Designo roll-up wooden grilles

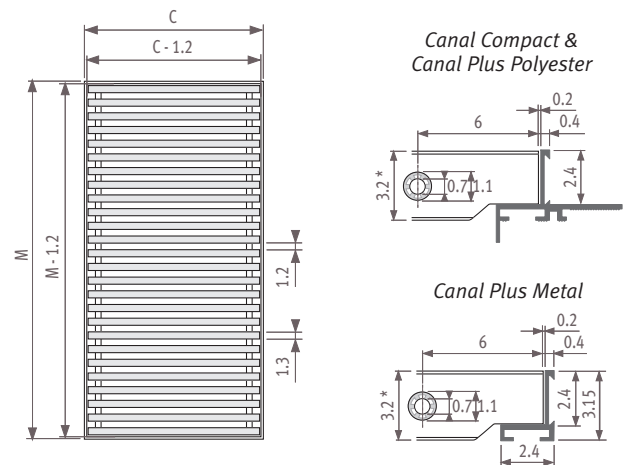
Merbau natural **DMN**    Oak natural **DON**    Beech natural **DBN**  
 Designo Merbau Natural    Designo Oak Natural    Designo Beech Natural



Merbau varnished **DMV**    Oak varnished **DOV**    Beech varnished **DBV**  
 Designo Merbau Varnished    Designo Oak Varnished    Designo Beech Varnished



Roll-up natural or varnished grille, Designo model with reduced slat spacing and natural colour anodized aluminium distance pieces. Frame in natural coloured anodized aluminium. Free air flow 52%.



Dimensional tolerance width grille: +0/+0.2 cm

\* Up to and including width grille 40.8 cm: 2.4 cm  
 Beginning from width grille 44.8: 3.2 cm

# Canal Plus\_Overview grilles

## Roll-up aluminium grilles

Natural coloured **RNA** Black **RBL** Dark brown\* **RDB**  
 Roll-up **N**atural Roll-up **B**lack Roll-up **D**ark Brown

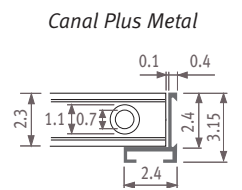
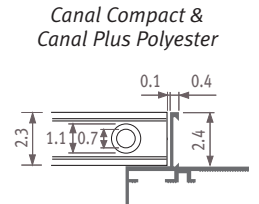
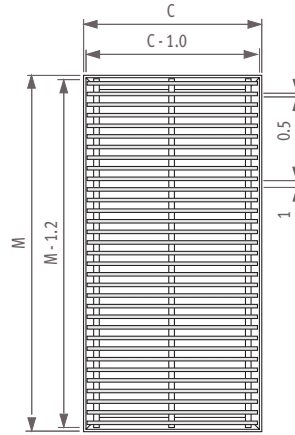


Roll-up anodized aluminium grille with frame in the same colour. Free air flow 70%.

\* Canal Plus Polyester: dark brown grille with black frame.

Canal Plus Metal: dark brown grille and frame.

Free air flow 70%.



Dimensional tolerance width grille: +0/+0.2 cm

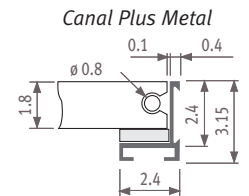
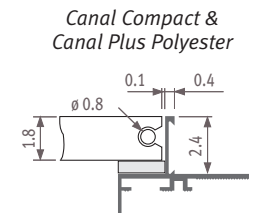
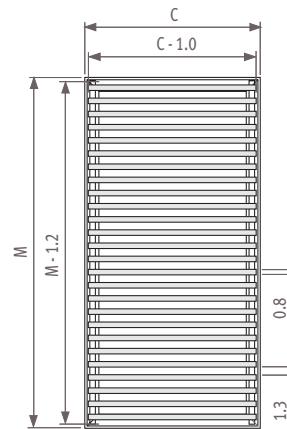
## Roll-up stainless steel grilles

Stainless steel **RSS**  
 Roll-up **S**tainless Steel



Roll-up grille in rustproof high-grade steel V2A1.4301. With matching frame in anodized aluminium in natural colour, including mounted black rubber strip to cover the bottom edge of the frame, and to avoid contact noises. Free air flow 60%.

Only available when ordered from parts: see page 231-235.



Dimensional tolerance width grille: +0/+0.2 cm



Canal Plus

## Canal Plus\_Overview grilles

### Rigid aluminium grilles

Natural coloured **SNA** Black **SBL** Dark brown\* **SDB**  
 Stiff **N**atural Stiff **B**lack Stiff **D**ark Brown

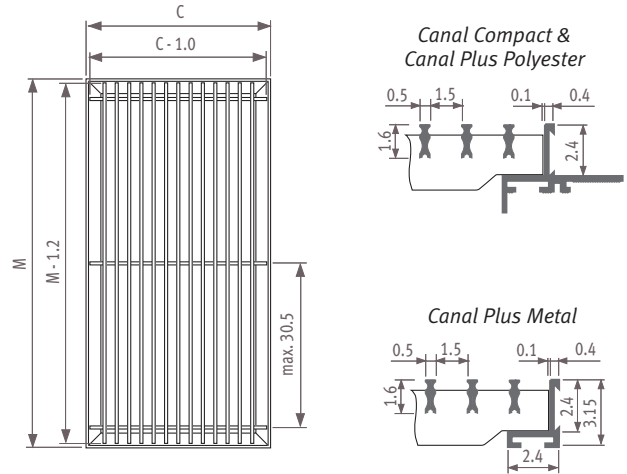


Rigid anodized aluminium grille with frame in the same colour. Free air flow 75%.

\* Canal Plus Polyester: dark brown grille with black frame.

Canal Plus Metal: dark brown grille and frame.

Free air flow 75%.



Dimensional tolerance width grille: +0/+0.2 cm

### Designo rigid aluminium grilles

Natural coloured **DNA** Black **DBL** Dark brown\* **ddb**  
 Designo **N**atural Designo **B**lack Designo **D**ark Brown

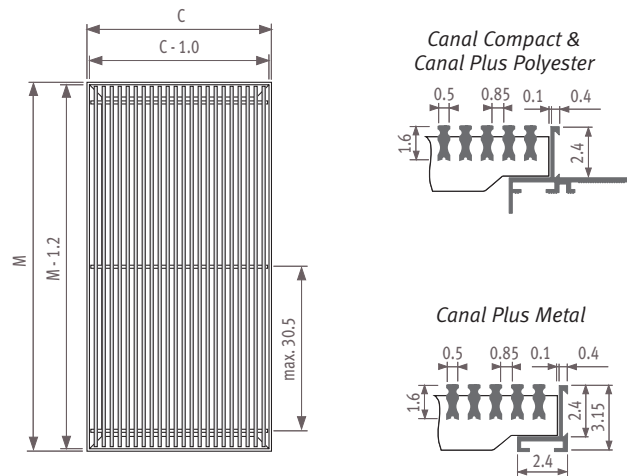


Rigid anodized aluminium grille, Designo model with reduced slat spacing. Frame in the same colour. Free air flow 62.5%.

\* Canal Plus Polyester: dark brown grille with black frame.

Canal Plus Metal: dark brown grille and frame.

Free air flow 62.5%.



Dimensional tolerance width grille: +0/+0.2 cm

## Canal Plus\_Overview grilles

### Rigid aluminium grilles lacquered

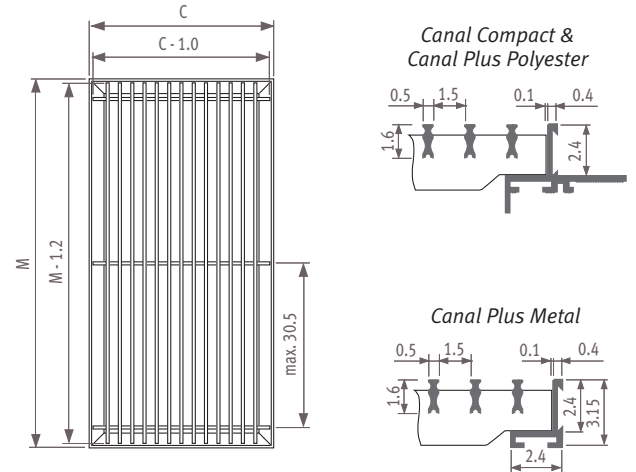
Lacquered **COLOUR/SNC**  
Stiff stiff Natural Colour



32 colours

To ensure perfect adherence of the lacquer coating, the anodized aluminium is painted with an extremely wear-resistant and UV-resistant polyester lacquer coating of the highest quality. Grille and frame in the same colour, gloss degree 70%: see colour chart.  
Free air flow 75%

Attention: only the colour codes beginning with 4 and colour 006 are suitable (extra hard-wearing).



Dimensional tolerance width grille: +0/+0.2 cm

### Designo rigid aluminium grilles lacquered

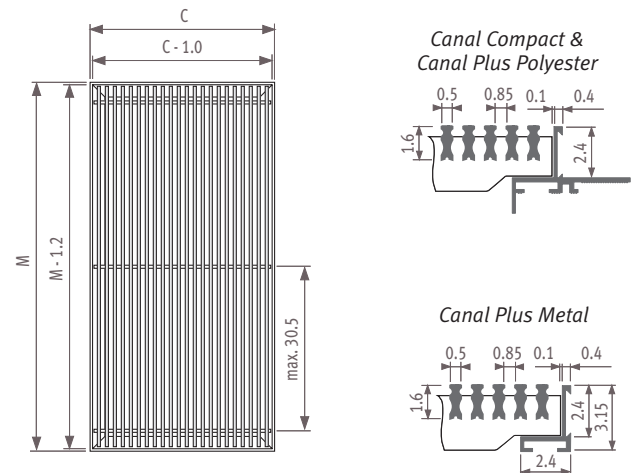
Lacquered **COLOUR/DNC**  
Designo stiff Natural Colour



32 colours

To ensure perfect adherence of the lacquer coating, the anodized aluminium is painted with an extremely wear-resistant and UV-resistant polyester lacquer coating of the highest quality. Grille and frame in the same colour, gloss degree 70%: see colour chart.  
Free air flow 62.5%

Attention: only the colour codes beginning with 4 and colour 006 are suitable (extra hard-wearing).



Dimensional tolerance width grille: +0/+0.2 cm



Canal Plus

## Canal Plus\_Composition



### Grille

available in several design types and colours in anodized aluminium, several types of wood and stainless steel.



**Separation wall**  
black polyurethane plate, thickness 2.5 cm.

### Low-H<sub>2</sub>O heat exchanger

copper tubes and pure aluminium fins, with brass collectors for one or two pipe connection.  
Dark grey lacquered in RAL 7024.

### Feet

from electrolytic galvanized steel plate; thickness 1.5 mm. Dark grey lacquered in RAL 7024.

**Waterproof polyester duct**  
with integrated natural coloured or black anodized frame.

### R 2.5 / K 0.40

4 mm polyester  
40 mm polyurethane insulation  
5 mm polyethylene insulation

### R 3.0 / K 0.33

4 mm polyester  
50 mm polyurethane insulation  
5 mm polyethylene insulation

### R 4.0 / K 0.25

4 mm polyester  
80 mm polyurethane insulation  
5 mm polyethylene insulation

### Cover plate

fibreboard, 1.5 cm, with pre-assembled spacer sleeves (metre load max. 90 kg/m).

### Brackets

from electrolytic galvanized steel plate. Dark grey lacquered in RAL 7024.

### Air vent

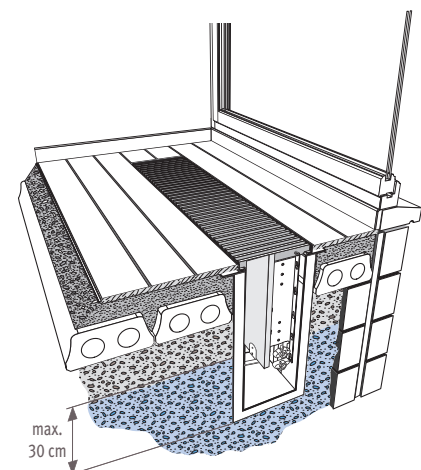
(or mount an air vent on the central heating system).

**! Building in-opening:**

height	H	+ 2 cm
length	L	
width	B	

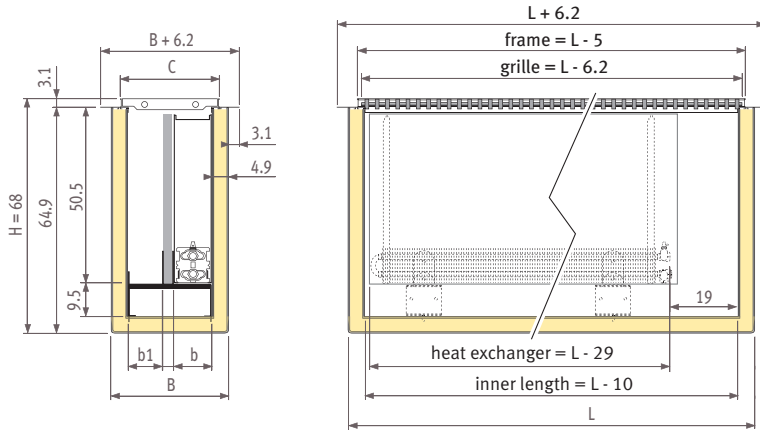
### Attention!

In case of a high water table (+30 cm) the upward pressure can seriously damage the polyester duct (leakage) and the floor (uplift). For water tables higher than 30 cm we advise special ducts and the use of additional floor-anchors. Info: Jaga



# Canal Plus\_Dimensions

## Canal Plus Polyester R 2.5

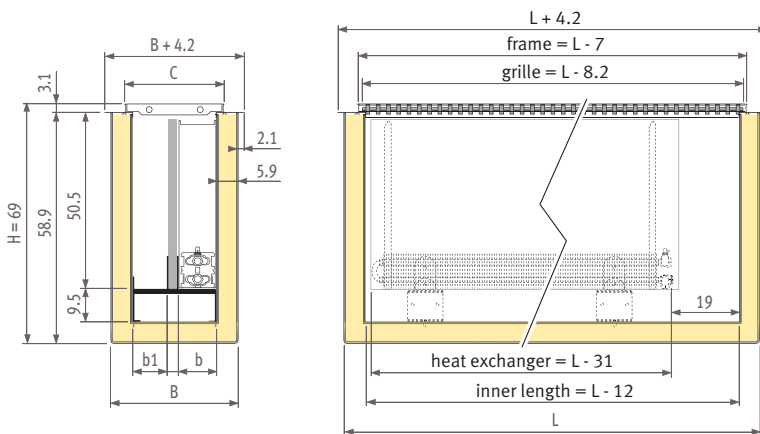


R-value = 2.5 m<sup>2</sup>K/w  
K-value = 0.40 w/(m<sup>2</sup>.K)

4 mm polyester  
40 mm polyurethane foam  
5 mm polyethylene foam

Corresponding widths				
duct	frame	heat exchanger		
		type	b	b1
B	C			
35	30	10	10	12
39	34	15	15	12
51	46	20	20	17

## Canal Plus Polyester R 3.0

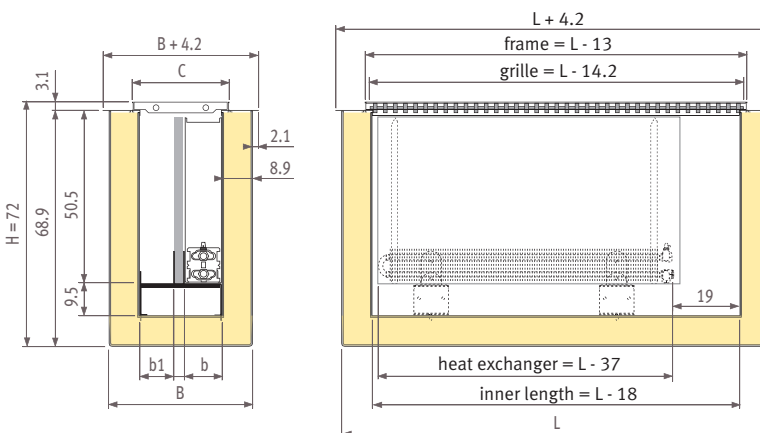


R-value = 3.0 m<sup>2</sup>K/w  
K-value = 0.33 w/(m<sup>2</sup>.K)

4 mm polyester  
50 mm polyurethane foam  
5 mm polyethylene foam

Corresponding widths				
duct	frame	heat exchanger		
		type	b	b1
B	C			
37	30	10	10	12
41	34	15	15	12
53	46	20	20	17

## Canal Plus Polyester R 4.0



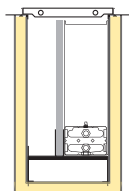
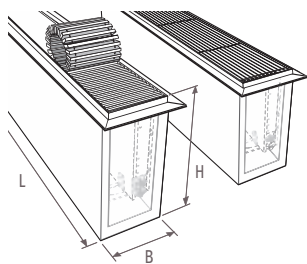
R-waarde = 4.0 m<sup>2</sup>K/w  
K-value = 0.25 w/(m<sup>2</sup>.K)

4 mm polyester  
80 mm polyurethane foam  
5 mm polyethylene foam

Corresponding widths				
duct	frame	heat exchanger		
		type	b	b1
B	C			
43	30	10	10	12
47	34	15	15	12
59	46	20	20	17



## Canal Plus R 2.5



### Standard delivery

- waterproof polyester duct, fully pre-mounted, with integrated black anodized frame
- grille
- cover plate (meter load max. 90 kg)
- Low-H<sub>2</sub>O heat-exchanger, dark grey lacquered in RAL 7024
- feet and brackets, dark grey lacquered in RAL 7024
- black separation wall from polyurethane foam
- straight air vent 1/8"
- drain cock 1/2"

Colour frame: see overview grilles p. 126-129.

### Grille codes

#### Rigid grilles

SNA	Aluminium natural coloured
SBL	Aluminium black
SDB	Aluminium dark brown
SNC	Aluminium lacquered
DNA	Designo aluminium natural coloured
DBL	Designo black
DDB	Designo dark brown
DNC	Designo aluminium lacquered

#### Roll-up grilles

RMN	Merbau natural
RON	Oak natural
RBN	Beech natural
RMV	Merbau varnished
ROV	Oak varnished
RBV	Beech varnished
DMN	Designo merbau natural
DON	Designo oak natural
DBN	Designo beech natural
DMV	Designo merbau varnished
DOV	Designo oak varnished
DBV	Designo beech varnished
RNA	Aluminium natural coloured
RBL	Aluminium black
RDB	Aluminium dark brown

## Canal Plus R 2.5\_Rigid grilles

### Aluminium natural, black, dark brown or lacquered

ORDERING CODE: CP25. LACQUERED  
code height length width colour grille  
CP25. 068 121 35 .xxx /SNA /SNC

H	B	L heat exchanger	121	131	141	161	181	201	221	241	261	281	301	321
068	35	75/65/20	1016	1134	1253	1490	1726	1964	2204	2445	2688	2931	3179	3426
		90/70/20	1302	1454	1606	1910	2213	2518	2825	3134	3446	3757	4075	4392
39	35	75/65/20	1663	1855	2047	2432	2820	3210	3544	3901	4232	4563	4882	5039
		90/70/20	2132	2378	2624	3118	3615	4115	4543	5001	5425	5849	6258	6459
51	35	75/65/20	2414	2692	2968	3303	3881	4454	5026	5577	6115	6632	7142	7646
		90/70/20	3094	3451	3805	4234	4975	5709	6443	7149	7839	8501	9155	9801

### Designo aluminium natural, black, dark brown or lacquered

ORDERING CODE: CP25. LACQUERED  
code height length width colour grille  
CP25. 068 121 35 .xxx /DNA /DNC

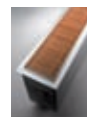
H	B	L heat exchanger	121	131	141	161	181	201	221	241	261	281	301	321
068	35	75/65/20	986	1100	1215	1445	1674	1905	2138	2372	2607	2843	3084	3323
		90/70/20	1264	1410	1557	1852	2146	2442	2741	3041	3342	3644	3953	4260
39	35	75/65/20	1613	1799	1986	2359	2735	3114	3438	3784	4105	4426	4736	4888
		90/70/20	2068	2306	2546	3024	3506	3992	4407	4851	5262	5674	6071	6266
51	35	75/65/20	2342	2611	2879	3204	3765	4320	4875	5410	5932	6433	6928	7417
		90/70/20	3002	3347	3691	4107	4826	5538	6249	6935	7604	8246	8881	9508

## Canal Plus R 2.5\_Roll-up grilles

<b>Merbau, oak or beech_natural or varnished</b>													code	height	length	width	grille
													ORDERING CODE: CP25.	068	121	35	/RMN
H	B	L heat exchanger	L 121	131	141	161	181	201	221	241	261	281	301	321			
			100	110	120	140	160	180	200	220	240	260	280	300			
068	35	75/65/20	986	1100	1215	1445	1674	1905	2138	2372	2607	2843	3084	3323			
		90/70/20	1264	1410	1557	1852	2146	2442	2741	3041	3342	3644	3953	4260			
39		75/65/20	1613	1799	1986	2359	2735	3114	3438	3784	4105	4426	4736	4888			
		90/70/20	2068	2306	2546	3024	3506	3992	4407	4851	5262	5674	6071	6266			
51		75/65/20	2342	2611	2879	3204	3765	4320	4875	5410	5932	6433	6928	7417			
		90/70/20	3002	3347	3691	4107	4826	5538	6249	6935	7604	8246	8881	9508			

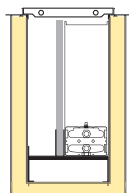
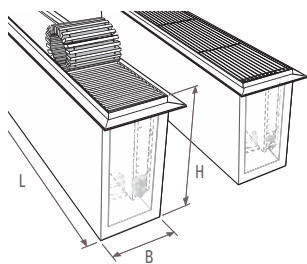
<b>Designo merbau, oak or beech_natural or varnished</b>													code	height	length	width	grille
													ORDERING CODE: CP25.	068	121	35	/DMN
H	B	L heat exchanger	L 121	131	141	161	181	201	221	241	261	281	301	321			
			100	110	120	140	160	180	200	220	240	260	280	300			
068	35	75/65/20	945	1055	1165	1386	1605	1827	2050	2274	2500	2726	2956	3186			
		90/70/20	1211	1352	1493	1777	2057	2342	2628	2915	3205	3494	3789	4084			
39		75/65/20	1547	1725	1904	2262	2623	2985	3296	3628	3936	4244	4540	4686			
		90/70/20	1983	2211	2441	2900	3362	3826	4225	4651	5045	5440	5820	6007			
51		75/65/20	2245	2504	2760	3072	3609	4142	4674	5187	5687	6168	6642	7111			
		90/70/20	2878	3210	3538	3938	4626	5310	5991	6649	7290	7907	8514	9115			

<b>Aluminium natural, black or dark brown</b>													code	height	length	width	grille
													ORDERING CODE: CP25.	068	121	35	/RNA
H	B	L heat exchanger	L 121	131	141	161	181	201	221	241	261	281	301	321			
			100	110	120	140	160	180	200	220	240	260	280	300			
068	35	75/65/20	1016	1134	1253	1490	1726	1964	2204	2445	2688	2931	3179	3426			
		90/70/20	1302	1454	1606	1910	2213	2518	2825	3134	3446	3757	4075	4392			
39		75/65/20	1663	1855	2047	2432	2820	3210	3544	3901	4232	4563	4882	5039			
		90/70/20	2132	2378	2624	3118	3615	4115	4543	5001	5425	5849	6258	6459			
51		75/65/20	2414	2692	2968	3303	3881	4454	5026	5577	6115	6632	7142	7646			
		90/70/20	3094	3451	3805	4234	4975	5709	6443	7149	7839	8501	9155	9801			



Canal Plus Polyester

## Canal Plus R 3.0



### Standard delivery

- waterproof polyester duct, fully pre-mounted, with integrated black anodized frame
- grille
- cover plate (meter load max. 90 kg)
- Low-H<sub>2</sub>O heat-exchanger, dark grey lacquered in RAL 7024
- feet and brackets, dark grey lacquered in RAL 7024
- black separation wall from polyurethane foam
- straight air vent 1/8"
- drain cock 1/2"

Colour frame: see overview grilles p. 126-129.

### Grille codes

#### Rigid grilles

SNA	Aluminium natural coloured
SBL	Aluminium black
SDB	Aluminium dark brown
SNC	Aluminium lacquered
DNA	Designo aluminium natural coloured
DBL	Designo black
DDB	Designo dark brown
DNC	Designo aluminium lacquered

#### Roll-up grilles

RMN	Merbau natural
RON	Oak natural
RBN	Beech natural
RMV	Merbau varnished
ROV	Oak varnished
RBV	Beech varnished
DMN	Designo merbau natural
DON	Designo oak natural
DBN	Designo beech natural
DMV	Designo merbau varnished
DOV	Designo oak varnished
DBV	Designo beech varnished
RNA	Aluminium natural coloured
RBL	Aluminium black
RDB	Aluminium dark brown

## Canal Plus R 3.0\_Rigid grilles

### Aluminium natural, black, dark brown or lacquered

ORDERING CODE: CP30. 069 123 37 colour grille /SNA /SNC .xxx

H	B	L heat exchanger	L 123	133	143	163	183	203	223	243	263	283	303	323
069	37	75/65/20	1016	1134	1253	1490	1726	1964	2204	2445	2688	2931	3179	3426
		90/70/20	1302	1454	1606	1910	2213	2518	2825	3134	3446	3757	4075	4392
41	37	75/65/20	1663	1855	2047	2432	2820	3210	3544	3901	4232	4563	4882	5039
		90/70/20	2132	2378	2624	3118	3615	4115	4543	5001	5425	5849	6258	6459
53	37	75/65/20	2414	2692	2968	3303	3881	4454	5026	5577	6115	6632	7142	7646
		90/70/20	3094	3451	3805	4234	4975	5709	6443	7149	7839	8501	9155	9801

### Designo aluminium natural, black, dark brown or lacquered

ORDERING CODE: CP30. 069 123 37 colour grille /DNA /DNC .xxx

H	B	L heat exchanger	L 123	133	143	163	183	203	223	243	263	283	303	323
069	37	75/65/20	986	1100	1215	1445	1674	1905	2138	2372	2607	2843	3084	3323
		90/70/20	1264	1410	1557	1852	2146	2442	2741	3041	3342	3644	3953	4260
41	37	75/65/20	1613	1799	1986	2359	2735	3114	3438	3784	4105	4426	4736	4888
		90/70/20	2068	2306	2546	3024	3506	3992	4407	4851	5262	5674	6071	6266
53	37	75/65/20	2342	2611	2879	3204	3765	4320	4875	5410	5932	6433	6928	7417
		90/70/20	3002	3347	3691	4107	4826	5538	6249	6935	7604	8246	8881	9508

## Canal Plus R 3.0\_Roll-up grilles

Merbau, oak or beech_natural or varnished													code	height	length	width	grille
													ORDERING CODE: CP30.	069	123	37	/RMN
H	B	L heat exchanger	L 123	133	143	163	183	203	223	243	263	283	303	323			
			100	110	120	140	160	180	200	220	240	260	280	300			
069	37	75/65/20	986	1100	1215	1445	1674	1905	2138	2372	2607	2843	3084	3323			
		90/70/20	1264	1410	1557	1852	2146	2442	2741	3041	3342	3644	3953	4260			
41		75/65/20	1613	1799	1986	2359	2735	3114	3438	3784	4105	4426	4736	4888			
		90/70/20	2068	2306	2546	3024	3506	3992	4407	4851	5262	5674	6071	6266			
53		75/65/20	2342	2611	2879	3204	3765	4320	4875	5410	5932	6433	6928	7417			
		90/70/20	3002	3347	3691	4107	4826	5538	6249	6935	7604	8246	8881	9508			

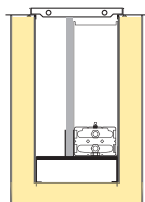
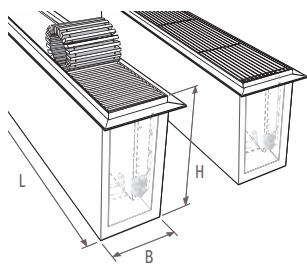
Designo merbau, oak or beech_natural or varnished													code	height	length	width	grille
													ORDERING CODE: CP30.	069	123	37	/DMN
H	B	L heat exchanger	L 123	133	143	163	183	203	223	243	263	283	303	323			
			100	110	120	140	160	180	200	220	240	260	280	300			
069	37	75/65/20	945	1055	1165	1386	1605	1827	2050	2274	2500	2726	2956	3186			
		90/70/20	1211	1352	1493	1777	2057	2342	2628	2915	3205	3494	3789	4084			
41		75/65/20	1547	1725	1904	2262	2623	2985	3296	3628	3936	4244	4540	4686			
		90/70/20	1983	2211	2441	2900	3362	3826	4225	4651	5045	5440	5820	6007			
53		75/65/20	2245	2504	2760	3072	3609	4142	4674	5187	5687	6168	6642	7111			
		90/70/20	2878	3210	3538	3938	4626	5310	5991	6649	7290	7907	8514	9115			

Aluminium natural, black or dark brown													code	height	length	width	grille
													ORDERING CODE: CP30.	069	123	37	/RNA
H	B	L heat exchanger	L 123	133	143	163	183	203	223	243	263	283	303	323			
			100	110	120	140	160	180	200	220	240	260	280	300			
069	37	75/65/20	1016	1134	1253	1490	1726	1964	2204	2445	2688	2931	3179	3426			
		90/70/20	1302	1454	1606	1910	2213	2518	2825	3134	3446	3757	4075	4392			
41		75/65/20	1663	1855	2047	2432	2820	3210	3544	3901	4232	4563	4882	5039			
		90/70/20	2132	2378	2624	3118	3615	4115	4543	5001	5425	5849	6258	6459			
53		75/65/20	2414	2692	2968	3303	3881	4454	5026	5577	6115	6632	7142	7646			
		90/70/20	3094	3451	3805	4234	4975	5709	6443	7149	7839	8501	9155	9801			



Canal Plus Polyester

## Canal Plus R 4.0



### Standard delivery

- waterproof polyester duct, fully pre-mounted, with integrated black anodized frame
- grille
- cover plate (meter load max. 90 kg)
- Low-H<sub>2</sub>O heat-exchanger, dark grey lacquered in RAL 7024
- feet and brackets, dark grey lacquered in RAL 7024
- black separation wall from polyurethane foam
- straight air vent 1/8"
- drain cock 1/2"

Colour frame: see overview grilles p. 126-129.

### Grille codes

#### Rigid grilles

SNA	Aluminium natural coloured
SBL	Aluminium black
SDB	Aluminium dark brown
SNC	Aluminium lacquered
DNA	Designo aluminium natural coloured
DBL	Designo black
DDB	Designo dark brown
DNC	Designo aluminium lacquered

#### Roll-up grilles

RMN	Merbau natural
RON	Oak natural
RBN	Beech natural
RMV	Merbau varnished
ROV	Oak varnished
RBV	Beech varnished
DMN	Designo merbau natural
DON	Designo oak natural
DBN	Designo beech natural
DMV	Designo merbau varnished
DOV	Designo oak varnished
DBV	Designo beech varnished
RNA	Aluminium natural coloured
RBL	Aluminium black
RDB	Aluminium dark brown

## Canal Plus R 4.0\_Rigid grilles

### Aluminium natural, black, dark brown or lacquered

ORDERING CODE: CP40. LACQUERED  
 code height length width colour grille  
 CP40. 072 129 43 .xxx /SNA /SNC

H	B	L heat exchanger	129	139	149	169	189	209	229	249	269	289	309	329
072	43	75/65/20	1016	1134	1253	1490	1726	1964	2204	2445	2688	2931	3179	3426
		90/70/20	1302	1454	1606	1910	2213	2518	2825	3134	3446	3757	4075	4392
47		75/65/20	1663	1855	2047	2432	2820	3210	3544	3901	4232	4563	4882	5039
		90/70/20	2132	2378	2624	3118	3615	4115	4543	5001	5425	5849	6258	6459
59		75/65/20	2414	2692	2968	3303	3881	4454	5026	5577	6115	6632	7142	7646
		90/70/20	3094	3451	3805	4234	4975	5709	6443	7149	7839	8501	9155	9801

### Designo aluminium natural, black, dark brown or lacquered

ORDERING CODE: CP40. LACQUERED  
 code height length width colour grille  
 CP40. 072 129 43 .xxx /DNA /DNC

H	B	L heat exchanger	129	139	149	169	189	209	229	249	269	289	309	329
072	43	75/65/20	986	1100	1215	1445	1674	1905	2138	2372	2607	2843	3084	3323
		90/70/20	1264	1410	1557	1852	2146	2442	2741	3041	3342	3644	3953	4260
47		75/65/20	1613	1799	1986	2359	2735	3114	3438	3784	4105	4426	4736	4888
		90/70/20	2068	2306	2546	3024	3506	3992	4407	4851	5262	5674	6071	6266
59		75/65/20	2342	2611	2879	3204	3765	4320	4875	5410	5932	6433	6928	7417
		90/70/20	3002	3347	3691	4107	4826	5538	6249	6935	7604	8246	8881	9508

## Canal Plus R 4.0\_Roll-up grilles

<b>Merbau, oak or beech_natural or varnished</b>													code	height	length	width	grille
													ORDERING CODE: CP40.	072	129	43	/RMN
H	B	L heat exchanger	L 129	139	149	169	189	209	229	249	269	289	309	329			
			100	110	120	140	160	180	200	220	240	260	280	300			
072	43	75/65/20	986	1100	1215	1445	1674	1905	2138	2372	2607	2843	3084	3323			
		90/70/20	1264	1410	1557	1852	2146	2442	2741	3041	3342	3644	3953	4260			
47		75/65/20	1613	1799	1986	2359	2735	3114	3438	3784	4105	4426	4736	4888			
		90/70/20	2068	2306	2546	3024	3506	3992	4407	4851	5262	5674	6071	6266			
59		75/65/20	2342	2611	2879	3204	3765	4320	4875	5410	5932	6433	6928	7417			
		90/70/20	3002	3347	3691	4107	4826	5538	6249	6935	7604	8246	8881	9508			

<b>Designo merbau, oak or beech_natural or varnished</b>													code	height	length	width	grille
													ORDERING CODE: CP40.	072	129	43	/DMN
H	B	L heat exchanger	L 129	139	149	169	189	209	229	249	269	289	309	329			
			100	110	120	140	160	180	200	220	240	260	280	300			
072	43	75/65/20	945	1055	1165	1386	1605	1827	2050	2274	2500	2726	2956	3186			
		90/70/20	1211	1352	1493	1777	2057	2342	2628	2915	3205	3494	3789	4084			
47		75/65/20	1547	1725	1904	2262	2623	2985	3296	3628	3936	4244	4540	4686			
		90/70/20	1983	2211	2441	2900	3362	3826	4225	4651	5045	5440	5820	6007			
59		75/65/20	2245	2504	2760	3072	3609	4142	4674	5187	5687	6168	6642	7111			
		90/70/20	2878	3210	3538	3938	4626	5310	5991	6649	7290	7907	8514	9115			

<b>Aluminium natural, black or dark brown</b>													code	height	length	width	grille
													ORDERING CODE: CP40.	072	129	43	/RNA
H	B	L heat exchanger	L 129	139	149	169	189	209	229	249	269	289	309	329			
			100	110	120	140	160	180	200	220	240	260	280	300			
072	43	75/65/20	1016	1134	1253	1490	1726	1964	2204	2445	2688	2931	3179	3426			
		90/70/20	1302	1454	1606	1910	2213	2518	2825	3134	3446	3757	4075	4392			
47		75/65/20	1663	1855	2047	2432	2820	3210	3544	3901	4232	4563	4882	5039			
		90/70/20	2132	2378	2624	3118	3615	4115	4543	5001	5425	5849	6258	6459			
59		75/65/20	2414	2692	2968	3303	3881	4454	5026	5577	6115	6632	7142	7646			
		90/70/20	3094	3451	3805	4234	4975	5709	6443	7149	7839	8501	9155	9801			



## Canal Plus Metal\_Composition



### Grille

available in several design types and colours in anodized aluminium, several types of wood and stainless steel.

### Separation wall

from sendzimir galvanized steel plate, thickness 0.70 mm. Dark grey lacquered in RAL 7024.

### Low-H<sub>2</sub>O heat exchanger

copper tubes and pure aluminium fins, with brass collectors for one or two pipe connection. Dark grey lacquered in RAL 7024.

### Metal duct

sendzimir galvanized steel plate, thickness 0.75 mm lacquered in dark grey.

### Insulated

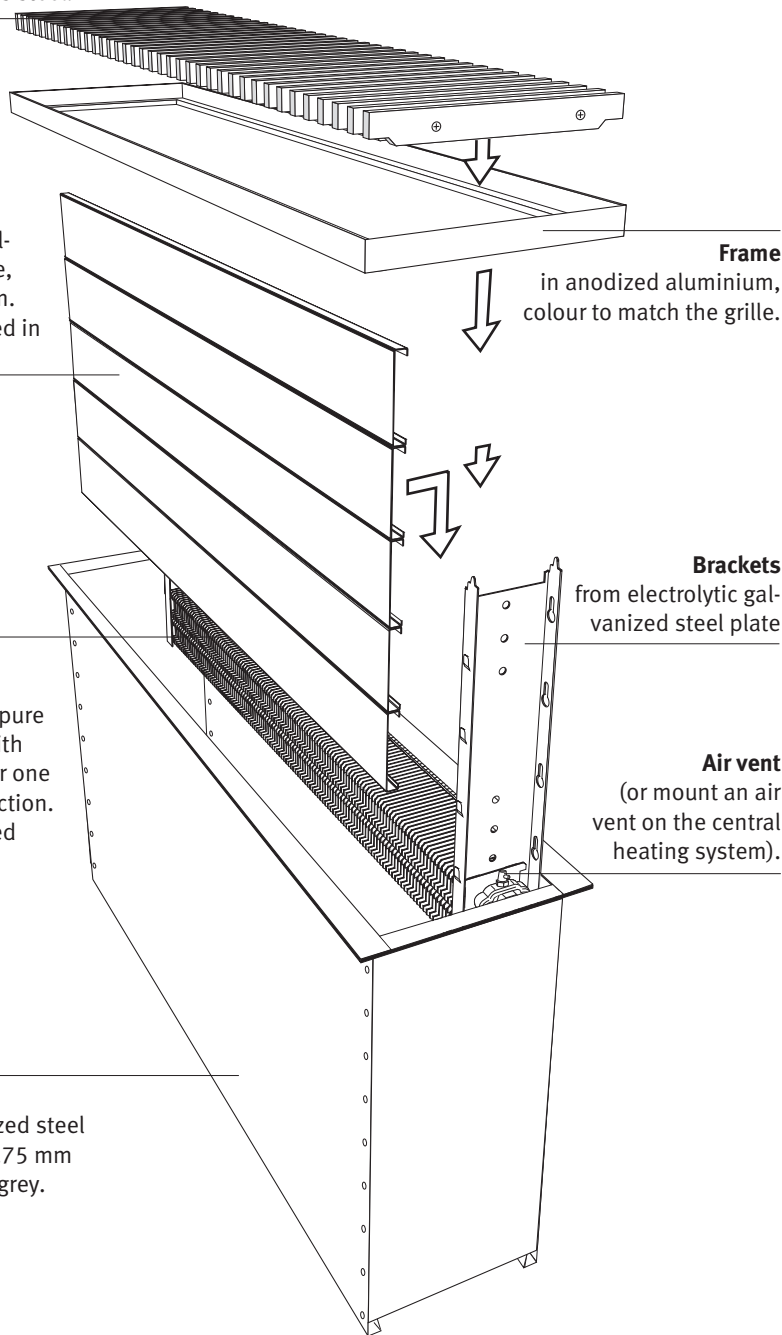
**R 0.58 / K 1.73**  
0.75 mm metal  
10 mm polyurethane insulation

### NOT insulated

**R 0.12 / K 8**  
0.75 mm metal

⚠ Building in-opening: \_\_\_\_\_

height	H	+ 2 cm
length	L	
width	B	

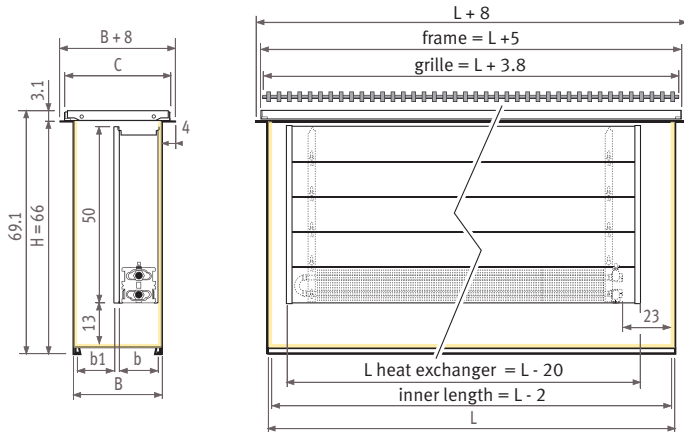


### Units to size

Units can be assembled to size: other widths or depths, lengths per cm from 1.2 to 4 m, etc... see "Parts" page 236.

## Canal Plus Metal\_Dimensions

### Canal Plus metal R 0.58



R-value = 0.58 m<sup>2</sup>K/w  
K-value = 1.73 w/(m<sup>2</sup>.K)

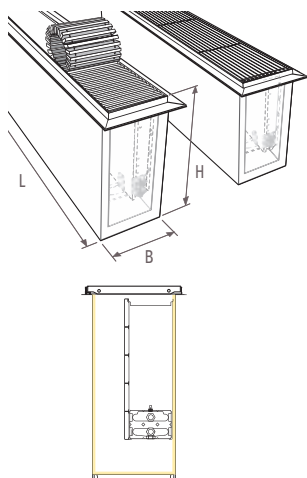
0.75 mm metal  
10 mm polyethylene foam

Corresponding widths						
duct	frame	heat exchanger				
		type	wall		central	
B	C		b	b1	b	b1
<b>25</b>	<b>30</b>	<b>10</b>	<b>10</b>	<b>11</b>	-	-
<b>29</b>	<b>34</b>	<b>15</b>	<b>15</b>	<b>10</b>	-	-
33	38	15	15	14	15	6.5
37	42	15	15	18	15	8.5
<b>41</b>	<b>46</b>	<b>20</b>	<b>20</b>	<b>17</b>	<b>20</b>	<b>8</b>
45	50	20	20	21	20	10
49	54	20	20	25	20	12
53	58	20	20	29	20	14

*In bold = standard*  
*Other dimensions: see page 236.*




## Canal Plus Metal R 0.58



### Standard delivery

- metal duct, easy to assemble. Not waterproof.
- Insulated with 10 mm polyethylene insulation R 0.58 / K 1.73
- Not insulated R 0.12 / K 8
- anodized aluminium frame
- grille
- Low-H<sub>2</sub>O heat exchanger, dark grey lacquered in RAL 7024
- brackets from electrolytic-galvanized steel plate
- dark grey lacquered metal separation walls
- right air vent 1/8"
- drain cock 1/2"

 Colour frame: see overview grilles p. 126-129.

### Grille codes

#### Rigid grilles

SNA	Aluminium natural coloured
SBL	Aluminium black
SDB	Aluminium dark brown
SBR	Aluminium brass coloured
SNC	Aluminium lacquered
DNA	Designo aluminium natural coloured
DBL	Designo black
DDB	Designo dark brown
DBR	Designo aluminium brass coloured
DNC	Designo aluminium lacquered

#### Roll-up grilles

RMN	Merbau natural
RON	Oak natural
RBN	Beech natural
RMV	Merbau varnished
ROV	Oak varnished
RBV	Beech varnished
DMN	Designo merbau natural
DON	Designo oak natural
DBN	Designo beech natural
DMV	Designo merbau varnished
DOV	Designo oak varnished
DBV	Designo beech varnished
RNA	Aluminium natural coloured
RBL	Aluminium black
RDB	Aluminium dark brown
RBR	Aluminium brass coloured

## Canal Plus Metal R 0.58\_Rigid grilles

### Aluminium natural, black, dark brown, brass or lacquered

ORDERING CODE: CPME. LACQUERED  
code height length width colour grille  
CPME. 066 120 25 .xxx /SNA /SNC

H	B	L heat exchanger	L 120	130	140	160	180	200	220	240	260	280	300	320
066	25	75/65/20	1016	1134	1253	1490	1726	1964	2204	2445	2688	2931	3179	3426
		90/70/20	1302	1454	1606	1910	2213	2518	2825	3134	3446	3757	4075	4392
29	25	75/65/20	1663	1855	2047	2432	2820	3210	3544	3901	4232	4563	4882	5039
		90/70/20	2132	2378	2624	3118	3615	4115	4543	5001	5425	5849	6258	6459
41	25	75/65/20	2414	2692	2968	3303	3881	4454	5026	5577	6115	6632	7142	7646
		90/70/20	3094	3451	3805	4234	4975	5709	6443	7149	7839	8501	9155	9801

### Designo aluminium natural, black, dark brown, brass or lacquered

ORDERING CODE: CPME. LACQUERED  
code height length width colour grille  
CPME. 066 120 25 .xxx /DNA /DNC

H	B	L heat exchanger	L 120	130	140	160	180	200	220	240	260	280	300	320
066	25	75/65/20	986	1100	1215	1445	1674	1905	2138	2372	2607	2843	3084	3323
		90/70/20	1264	1410	1557	1852	2146	2442	2741	3041	3342	3644	3953	4260
29	25	75/65/20	1613	1799	1986	2359	2735	3114	3438	3784	4105	4426	4736	4888
		90/70/20	2068	2306	2546	3024	3506	3992	4407	4851	5262	5674	6071	6266
41	25	75/65/20	2342	2611	2879	3204	3765	4320	4875	5410	5932	6433	6928	7417
		90/70/20	3002	3347	3691	4107	4826	5538	6249	6935	7604	8246	8881	9508

## Canal Plus Metal R 0.58\_Roll-up grilles

Merbau, oak or beech_natural or varnished													code	height	length	width	grille
													ORDERING CODE: CPME.	066	120	25	/RMN
H	B	L heat exchanger	L 120	130	140	160	180	200	220	240	260	280	300	320			
			100	110	120	140	160	180	200	220	240	260	280	300			
066	25	75/65/20	986	1100	1215	1445	1674	1905	2138	2372	2607	2843	3084	3323			
		90/70/20	1264	1410	1557	1852	2146	2442	2741	3041	3342	3644	3953	4260			
29		75/65/20	1613	1799	1986	2359	2735	3114	3438	3784	4105	4426	4736	4888			
		90/70/20	2068	2306	2546	3024	3506	3992	4407	4851	5262	5674	6071	6266			
41		75/65/20	2342	2611	2879	3204	3765	4320	4875	5410	5932	6433	6928	7417			
		90/70/20	3002	3347	3691	4107	4826	5538	6249	6935	7604	8246	8881	9508			

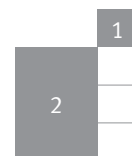
Designo merbau, oak or beech_natural or varnished													code	height	length	width	grille
													ORDERING CODE: CPME.	066	120	25	/DMN
H	B	L heat exchanger	L 120	130	140	160	180	200	220	240	260	280	300	320			
			100	110	120	140	160	180	200	220	240	260	280	300			
066	25	75/65/20	945	1055	1165	1386	1605	1827	2050	2274	2500	2726	2956	3186			
		90/70/20	1211	1352	1493	1777	2057	2342	2628	2915	3205	3494	3789	4084			
29		75/65/20	1547	1725	1904	2262	2623	2985	3296	3628	3936	4244	4540	4686			
		90/70/20	1983	2211	2441	2900	3362	3826	4225	4651	5045	5440	5820	6007			
41		75/65/20	2245	2504	2760	3072	3609	4142	4674	5187	5687	6168	6642	7111			
		90/70/20	2878	3210	3538	3938	4626	5310	5991	6649	7290	7907	8514	9115			

Aluminium natural, black, dark brown or brass													code	height	length	width	grille
													ORDERING CODE: CPME.	066	120	25	/RNA
H	B	L heat exchanger	L 120	130	140	160	180	200	220	240	260	280	300	320			
			100	110	120	140	160	180	200	220	240	260	280	300			
066	25	75/65/20	1016	1134	1253	1490	1726	1964	2204	2445	2688	2931	3179	3426			
		90/70/20 RN	1302	1454	1606	1910	2213	2518	2825	3134	3446	3757	4075	4392			
29		75/65/20	1663	1855	2047	2432	2820	3210	3544	3901	4232	4563	4882	5039			
		90/70/20 R	2132	2378	2624	3118	3615	4115	4543	5001	5425	5849	6258	6459			
41		75/65/20	2414	2692	2968	3303	3881	4454	5026	5577	6115	6632	7142	7646			
		90/70/20 R	3094	3451	3805	4234	4975	5709	6443	7149	7839	8501	9155	9801			



# Installation into pre-formed duct





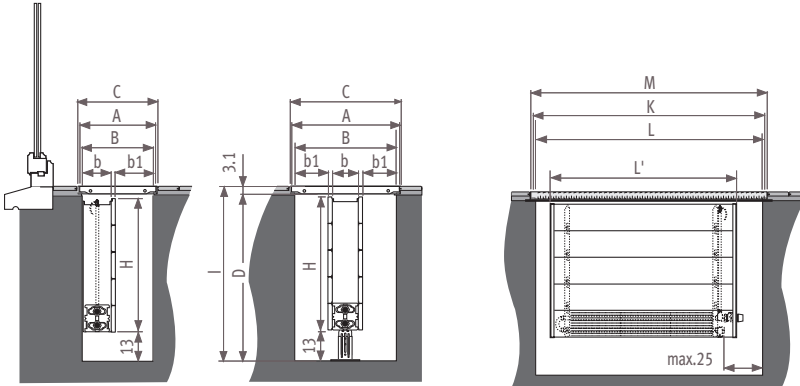
1. Option: thermostatic valve with remote controlled head
2. Build-in unit with metal separation wall

## Installation into pre-formed duct\_Dimensions



### Wall mounting BIFW\_Build-in Floor Wall

### Central mounting BIFW\_Build-in Floor Free-standing



### Corresponding widths

duct <b>B</b>	frame <b>C</b>	grille <b>A</b>	heat exchanger				
			type	wall		central	
				<b>b</b>	<b>b1 min.</b>	<b>b</b>	<b>b1 min.</b>
<b>25</b>	<b>30</b>	<b>28.8</b>	<b>10-11</b>	<b>10</b>	<b>12</b>	-	-
<b>29</b>	<b>34</b>	<b>32.8</b>	<b>15-16</b>	<b>15</b>	<b>12</b>	-	-
33	38	36.8	15-16	15	12	15	7.5
<b>37</b>	<b>42</b>	<b>40.8</b>	<b>15-16</b>	<b>15</b>	<b>12</b>	<b>15</b>	<b>9</b>
41	46	44.8	20-21	20	17	20	9
45	50	48.8	20-21	20	17	20	11
49	54	52.8	20-21	20	17	20	13
53	58	56.8	20-21	20	17	20	13

In bold = standard

### Correction factors

grille	% free air flow	correction factor
Jaga aluminium rolled up and rigid	75	1.00
Jaga Designo rigid aluminum and rolled up wood	62.5	0.97
Stainless steel	60	0.96
Jaga Designo rolled up wood	52	0.93
Other	50	0.92
	40	0.84
	30	0.66

Heat outputs are calculated on the given dimensions and with use of a Jaga grille with a free air flow of 75 % (Jaga aluminium rigid grilles). For other dimensions and grilles, correction factors have to be applied.

### Length

	duct <b>L</b> per cm	frame <b>M</b> L + 5	grille <b>K</b> L + 3.8	heat exchanger <b>L' max.</b> L - 20
Example	140	145	143.8	120

Length M can be custom made per cm, up to 6 m in 1 piece.  
Longer ducts: 2 pieces of the same length (see parts).

### Height

duct D min.	heat exchanger H	total depth I
34	20	37
44	30	47
54	40	57
<b>64</b>	<b>50</b>	<b>67</b>

Standard feet adjustable from 13.5 to 18.5 cm.

## Installation into pre-formed duct\_Options

### Grilles and frames \_\_\_\_\_

A large range of grilles and frames in various colours and materials: see parts list for Canal Plus page 236.

### Extended air vent \_\_\_\_\_

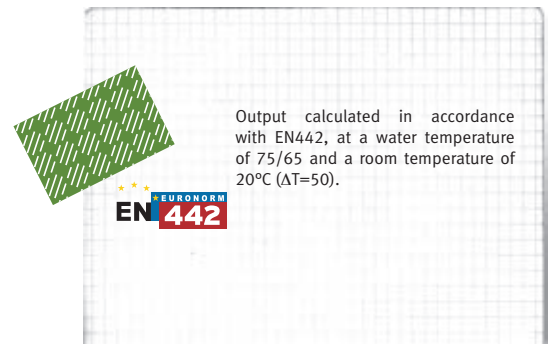


For easy and rapid venting.  
Extended air vent for heat exchanger type 10, 15 and 20.  
**Standard delivered with type 11, 16 and 21.**

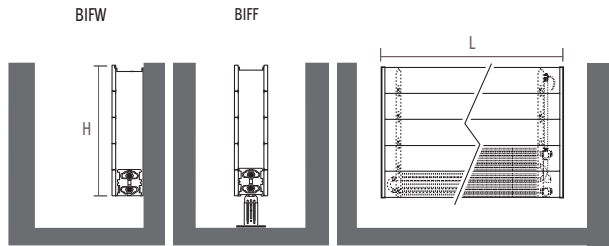
CODE	H Separation wall
5090.114078	20
5090.114178	30
5090.114278	40
5090.114378	50



Installation into pre-formed duct



## Installation into pre-formed duct



### BIFW: standard delivery

- Low-H<sub>2</sub>O heat exchanger, dark grey lacquered in RAL 7024
- Brackets
- Separation wall, dark grey lacquered
- Air vent 1/8": elbow (type 10) or extended (type 11)
- Drain cock 1/2"

### BIFF: standard delivery

- Low-H<sub>2</sub>O heat exchanger, dark grey lacquered in RAL 7024
- Free-standing brackets
- Feet: adjustable from 13.5 to 18.5 cm
- 2 separation walls, dark grey lacquered
- Air vent 1/8": elbow (type 10), extended (type 11)
- Drain cock 1/2"

### Wall mounting\_type 10 Central mounting\_type 10

	code	height	length	type
ORDERING CODE: BIFW.	020	090	10	
BIFF.	020	090	10	

H	for duct length L	110	120	130	140	160	180	200	220	240	260	280	300	320
		090	100	110	120	140	160	180	200	220	240	260	280	300
020	75/65/20	582	655	728	801	946	1092	1237	1383	1528	1674	1819	1965	2111
	90/70/20	746	840	933	1027	1213	1400	1586	1773	1959	2146	2332	2519	2706
030	75/65/20	734	826	918	1010	1193	1377	1560	1744	1927	2111	2294	2478	2662
	90/70/20	941	1059	1177	1295	1529	1765	2000	2236	2470	2706	2941	3176	3412
040	75/65/20	856	963	1070	1177	1391	1605	1819	2033	2247	2461	2675	2889	3103
	90/70/20	1097	1234	1372	1509	1783	2057	2332	2606	2880	3155	3429	3703	3978
050	75/65/20	898	1016	1134	1253	1490	1726	1964	2204	2445	2688	2931	3179	3426
	90/70/20	1151	1302	1454	1606	1910	2213	2518	2825	3134	3446	3757	4075	4392

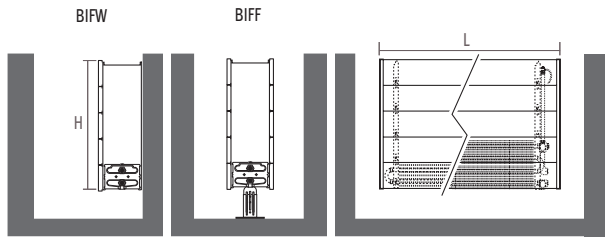
### Wall mounting Twin\_type 11 Central mounting Twin\_type 11



	code	height	length	type
ORDERING CODE: BIFW.	030	090	11	
BIFF.	030	090	11	

H	for duct length L	110	120	130	140	160	180	200	220	240	260	280	300	320
		090	100	110	120	140	160	180	200	220	240	260	280	300
030	75/65/20	996	1121	1246	1370	1619	1868	2117	2367	2616	2865	3114	3363	3612
	90/70/20	1277	1437	1597	1756	2075	2395	2714	3034	3353	3673	3992	4311	4630
040	75/65/20	1124	1264	1404	1545	1826	2107	2388	2668	2949	3230	3511	3792	4073
	90/70/20	1441	1620	1800	1980	2341	2701	3061	3420	3780	4140	4501	4861	5221
050	75/65/20	1171	1317	1463	1610	1902	2195	2488	2780	3073	3366	3658	3951	4244
	90/70/20	1501	1688	1875	2064	2438	2814	3189	3564	3939	4315	4689	5065	5440

## Installation into pre-formed duct



### BIFW: standard delivery

- Low-H<sub>2</sub>O heat exchanger, dark grey lacquered in RAL 7024
- Brackets
- Separation wall, dark grey lacquered
- Air vent 1/8": elbow (type 15) or extended (type 16)
- Drain cock 1/2"

### BIFF: standard delivery

- Low-H<sub>2</sub>O heat exchanger, dark grey lacquered in RAL 7024
- Free-standing brackets
- Feet: adjustable from 13.5 to 18.5 cm
- 2 separation walls, dark grey lacquered
- Air vent 1/8": elbow (type 15), extended (type 16)
- Drain cock 1/2"

### Wall mounting\_type 15 Central mounting\_type 15

	code	height	length	type
ORDERING CODE: BIFW.	020	090	15	
BIFF.	020	090	15	

H	for duct length	110	120	130	140	160	180	200	220	240	260	280	300	320
		L 090	100	110	120	140	160	180	200	220	240	260	280	300
020	75/65/20	969	1090	1211	1332	1574	1817	2059	2301	2543	2786	3028	3270	3512
	90/70/20	1242	1397	1552	1707	2018	2329	2639	2950	3260	3571	3882	4192	4502
030	75/65/20	1208	1359	1510	1661	1963	2265	2567	2869	3171	3473	3775	4077	4379
	90/70/20	1549	1742	1936	2129	2516	2903	3291	3678	4065	4452	4839	5226	5613
040	75/65/20	1394	1568	1742	1916	2265	2613	2962	3310	3659	4007	4356	4704	4965
	90/70/20	1787	2010	2233	2456	2903	3350	3797	4243	4690	5136	5584	6030	6364
050	75/65/20	1472	1663	1855	2047	2432	2820	3210	3544	3901	4232	4563	4882	5039
	90/70/20	1887	2132	2378	2624	3118	3615	4115	4543	5001	5425	5849	6258	6459

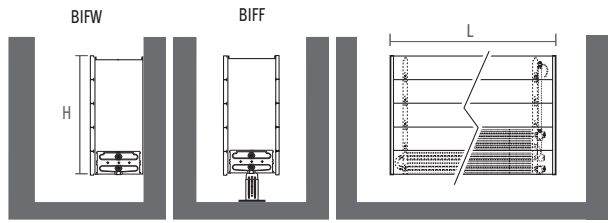
### Wall mounting Twin\_type 16 Central mounting Twin\_type 16



	code	height	length	type
ORDERING CODE: BIFW.	030	090	16	
BIFF.	030	090	16	

H	for duct length	110	120	130	140	160	180	200	220	240	260	280	300	320
		L 090	100	110	120	140	160	180	200	220	240	260	280	300
030	75/65/20	1316	1480	1644	1809	2138	2467	2796	3124	3453	3782	4111	4440	4769
	90/70/20	1687	1897	2107	2319	2741	3162	3584	4005	4426	4848	5270	5692	6113
040	75/65/20	1511	1700	1889	2078	2456	2833	3211	3589	3967	4344	4722	5100	5478
	90/70/20	1937	2179	2421	2664	3148	3632	4116	4601	5085	5568	6053	6538	7022
050	75/65/20	1603	1803	2003	2204	2604	3005	3406	3806	4207	4608	5008	5409	5810
	90/70/20	2055	2311	2568	2825	3338	3852	4366	4879	5393	5907	6420	6934	7448

## Installation into pre-formed duct



### BIFW: standard delivery

- Low-H<sub>2</sub>O heat exchanger, dark grey lacquered in RAL 7024
- Brackets
- Separation wall, dark grey lacquered
- Air vent 1/8": elbow (type 20) or extended (type 21)
- Drain cock 1/2"

### BIFF: standard delivery

- Low-H<sub>2</sub>O heat exchanger, dark grey lacquered in RAL 7024
- Free-standing brackets
- Feet: adjustable from 13.5 to 18.5 cm
- 2 separation walls, dark grey lacquered
- Air vent 1/8": elbow (type 20), extended (type 21)
- Drain cock 1/2"

### Wall mounting\_type 20 Central mounting\_type 20

	code	height	length	type
ORDERING CODE: BIFW.	020	090	20	
BIFF.	020	090	20	

H	for duct length L	110	120	130	140	160	180	200	220	240	260	280	300	320
		090	100	110	120	140	160	180	200	220	240	260	280	300
020	75/65/20	1362	1532	1702	1872	2213	2553	2894	3234	3575	3915	4256	4596	4936
	90/70/20	1746	1964	2182	2400	2837	3273	3710	4146	4583	5019	5456	5891	6327
030	75/65/20	1694	1906	2118	2330	2753	3177	3600	4024	4447	4871	5294	5718	6142
	90/70/20	2171	2443	2715	2987	3529	4073	4615	5158	5700	6244	6786	7330	7873
040	75/65/20	1952	2196	2440	2684	3172	3660	4148	4636	5124	5612	6100	6588	7076
	90/70/20	2502	2815	3128	3441	4066	4692	5317	5943	6568	7194	7819	8445	9071
050	75/65/20	2136	2414	2692	2968	3303	3881	4454	5026	5577	6115	6632	7142	7646
	90/70/20	2738	3094	3451	3805	4234	4975	5709	6443	7149	7839	8501	9155	9801

### Wall mounting Twin\_type 21 Central mounting Twin\_type 21



	code	height	length	type
ORDERING CODE: BIFW.	030	090	21	
BIFF.	030	090	21	

H	for duct length L	110	120	130	140	160	180	200	220	240	260	280	300	320
		090	100	110	120	140	160	180	200	220	240	260	280	300
030	75/65/20	1732	1948	2164	2381	2814	3247	3680	4112	4545	4978	5411	5844	6277
	90/70/20	2220	2497	2774	3052	3607	4162	4717	5271	5826	6381	6936	7491	8046
040	75/65/20	2021	2274	2527	2779	3285	3790	4295	4801	5306	5811	6317	6822	7327
	90/70/20	2591	2915	3239	3562	4211	4858	5506	6154	6802	7449	8098	8745	9392
050	75/65/20	2180	2453	2726	2998	3543	4088	4633	5179	5724	6269	6814	7359	7904
	90/70/20	2794	3144	3494	3843	4542	5240	5939	6639	7337	8036	8735	9433	10132