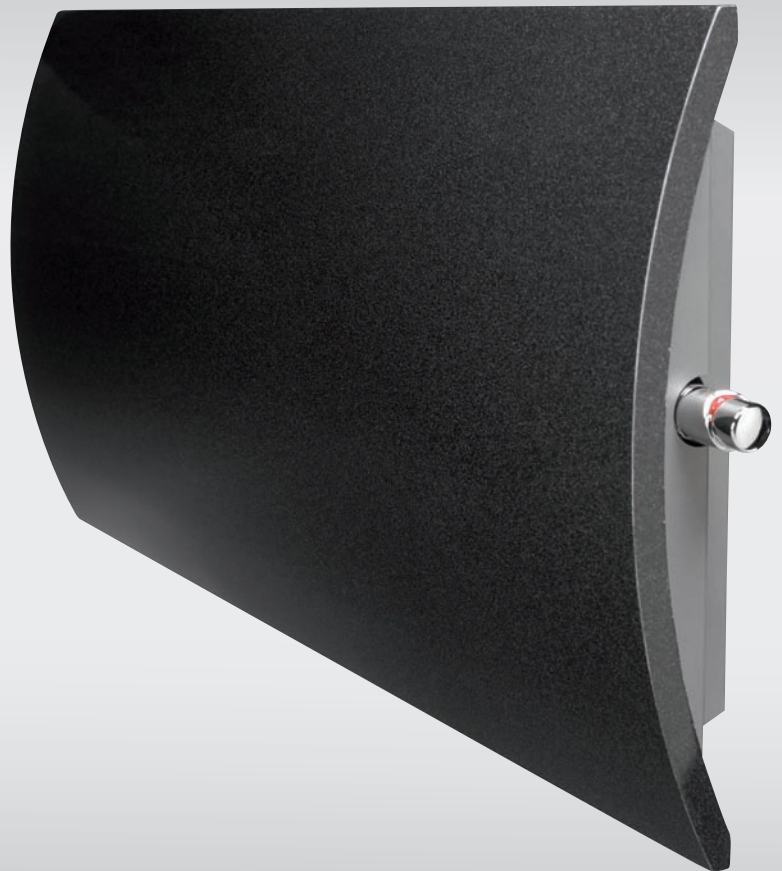


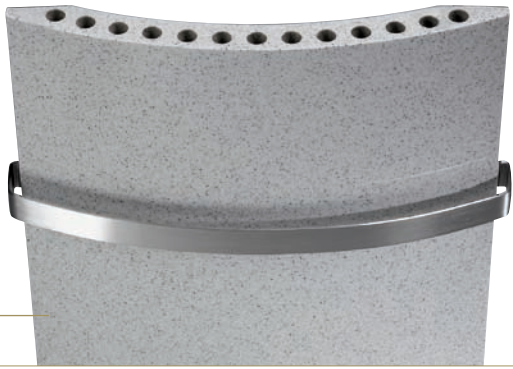


1

2

- 1. Geo Vertical
- 2. Geo Horizontal



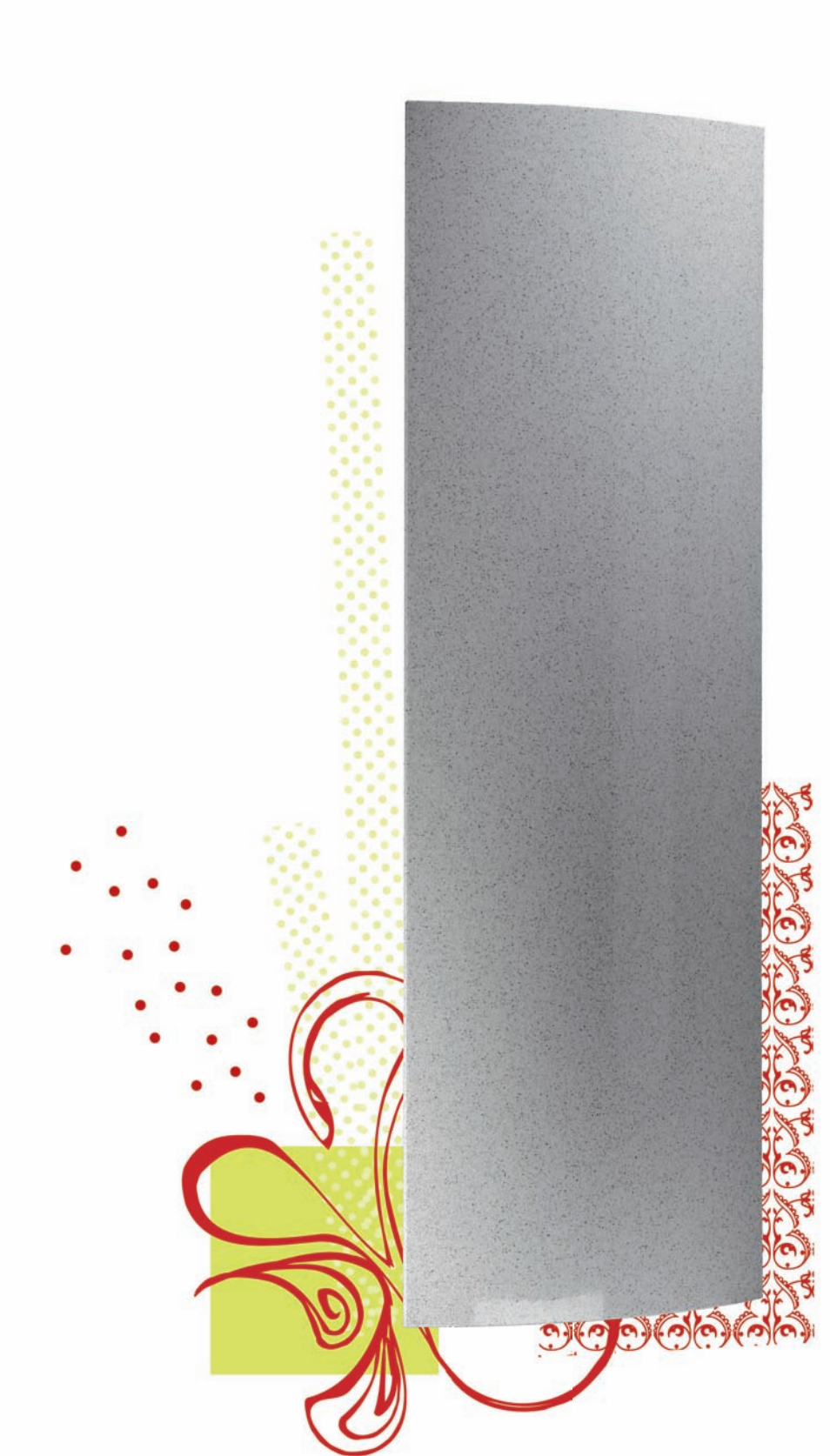


- 1
- 2
- 3

1. Geo Vertical  
2. Geo Vertical with towel rail  
3. Geo Vertical with cover plate

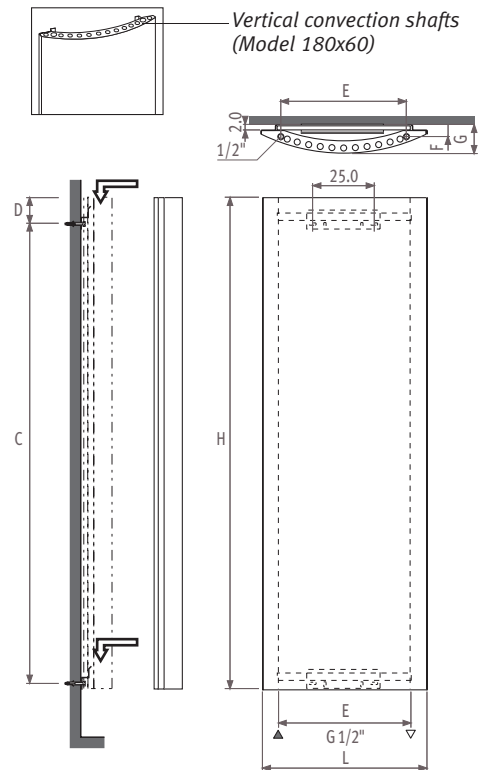


*Geo Vertical*

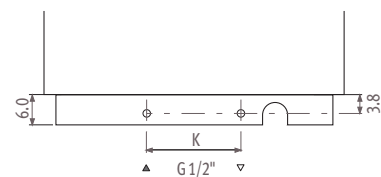


## Geo Vertical Dimensions

### GEVW\_Geo Vertical Wall



### GEVW\_Geo Vertical Wall cover plate

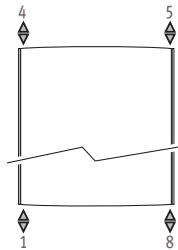


Dimensions in cm

H	150	180
L	50	60
C	106	170
D	25.5	8.5
E	40	46
F	4.0	4.5
G	8.4	10.5
K	17	23

## Connections

Code: 1° number = flow  
2° number = return



### Standard connection

Code 18  
Connection 18 or 81

### Top end connection

Ordering code: specify code 45 or 54 instead of 18.

Insert pipe included without surcharge. Has to be mounted in the return. Always mount an air vent on the central heating system.

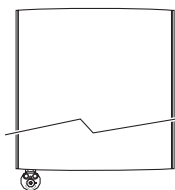
### Single point connection

Ordering code: specify code 11 or 88 instead of 18.

Always use a diffusion tube of min. length of 40 cm. No surcharge.

### Electro heating

Standard code 18, and order an electric element.



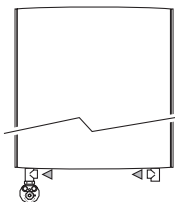
### Mixed

Standard code 18.

Order an electric element type mixed.

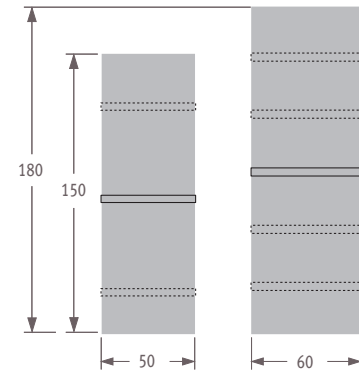
- Fit the T-piece together with the electrical heating element for connection to the central heating wet system.

- Never isolate the radiator from the expansion system, in other words never cut off the return of the radiator.



Not standard connection without surcharge.

## Range



## Outputs

### Geo Vertical

code height length colour conn.  
 ORDERING CODE: GEVW. 150 050. XXX /18

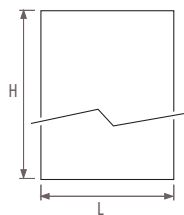
H		L 050	060
150	75/65/20	631	...
	90/70/20	786	...
180	75/65/20	...	971
	90/70/20	...	1219

#### Standard delivery

- connection 18 underneath
- stainless steel wall fixings.
- chrome-plated air vent and drain cock 1/2"
- plugs and screws

#### Standard colours:

- white 601
- light grey 602
- black 603
- sand 604



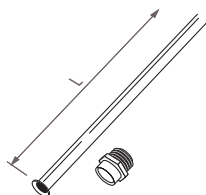
Geo Vertical



Output measured in accordance with EN442, at a water temperature of 75/65 and a room temperature of 20°C ( $\Delta T=50$ ).

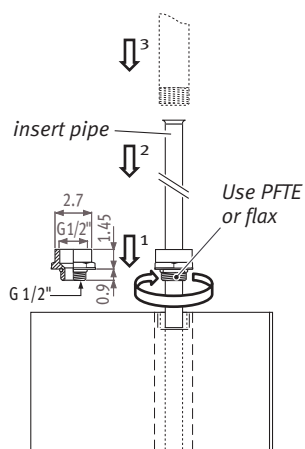
## Options

### Insert pipe for top end connection



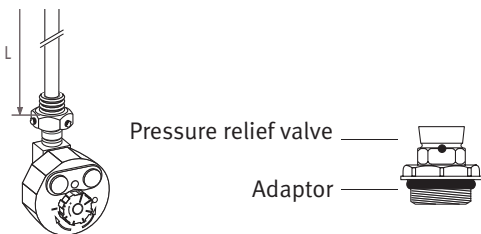
CODE	H radiator	L
9097.1280	150	128
9097.1660	180	166

Will be delivered without surcharge if the top end connection code is indicated (45 or 54 instead of 18).



### Electro heating

CODE	H	Type	WATTS	L
9096.12	150	100 % electric	900	52.5
9096.121	150	mixed (incl. 2 extended T-pieces)	900	52.5
9096.14	180	100 % electric	1500	82.0
9096.141	180	mixed (incl. 2 extended T-pieces)	1500	82.0



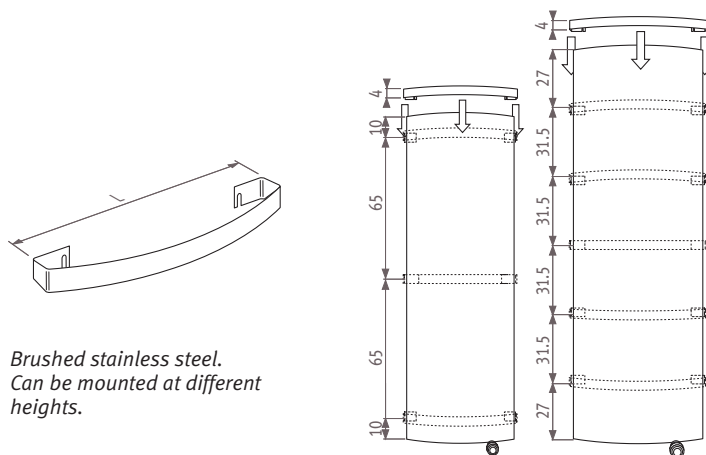
### Connection electric element

- Fit the electric heating element vertically in the socket 1 or 8. The pressure release valve which is included should be fitted into socket 4 or 5, (3 bar).
- Do not switch the radiator on before filling it completely with water.
- Fill up with water after the first total heating up of the radiator.

For more information see Technical info.

### Towel-rail

CODE	H radiator	L
9091.000053	150	53
9091.000063	180	63

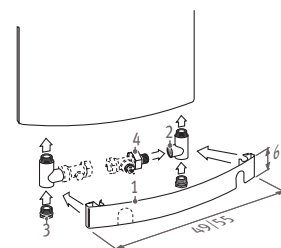


### Cover plate

CODE	opening	L radiator	L
9094.07	right	50	49
9094.08	left	50	49
9094.06	none	50	49
9094.02	right	60	55
9094.03	left	60	55
9094.09	none	60	55

### Price includes

- cover plate in brushed stainless steel (1)
- 2 chrome-plated extended T-pieces (2)
- 2 drain cocks (3)
- shortened coupling (4)



Cover plate including valves: see connection sets & valves

### Extended T-piece

CODE	colour
TPCE.006.009	chrome



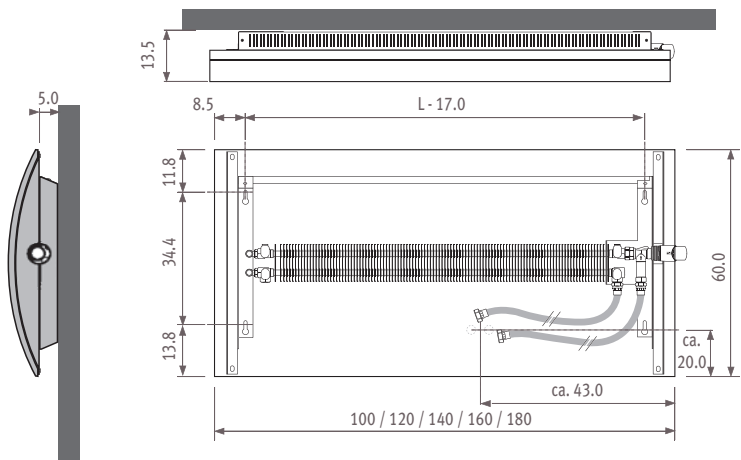
For mixed application, connection at the side or the back.

# *Geo Horizontal*



## Geo Horizontal Dimensions

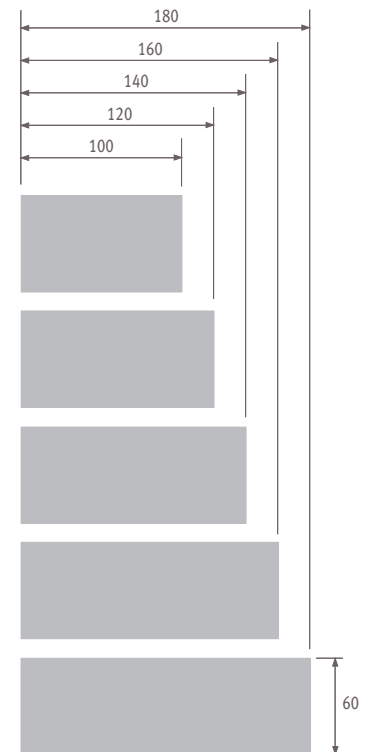
### GEHW\_Geo Horizontal Wall



## Connections

- supplied completely pre-mounted
- including right handed connection with Jaga valve
- chrome-plated TRV head
- extension pipe
- flexible hoses 1/2" (L 60 cm) for connection to the wall

## Range



## Outputs

### Geo Horizontal

code height length colour conn.  
 ORDERING CODE: GEHW. 060 100. XXX /18

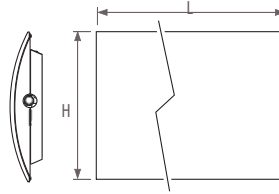
H		L 100	120	140	160	180
060	75/65/20	1099	1375	1652	1924	2191
	90/70/20	1412	1763	2114	2457	2793

#### Standard delivery

- build in Low-H<sub>2</sub>O heat exchanger
- flexible hoses 1/2" (L=60 cm) for connection to the wall
- extended air vent and drain cock 1/2"
- plugs and screws
- Jaga valve with Deco thermostatic head chrome and extension pipe

#### Standard colours:

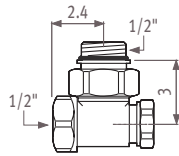
- black 603
- sand 604



## Options

### Lockshield 1/2" 90°, connection to the wall

CODE	
5090.110	nickle-plated



Output measured in accordance with EN442, at a water temperature of 75/65 and a room temperature of 20°C ( $\Delta T=50$ ).



1.Geo Mosis



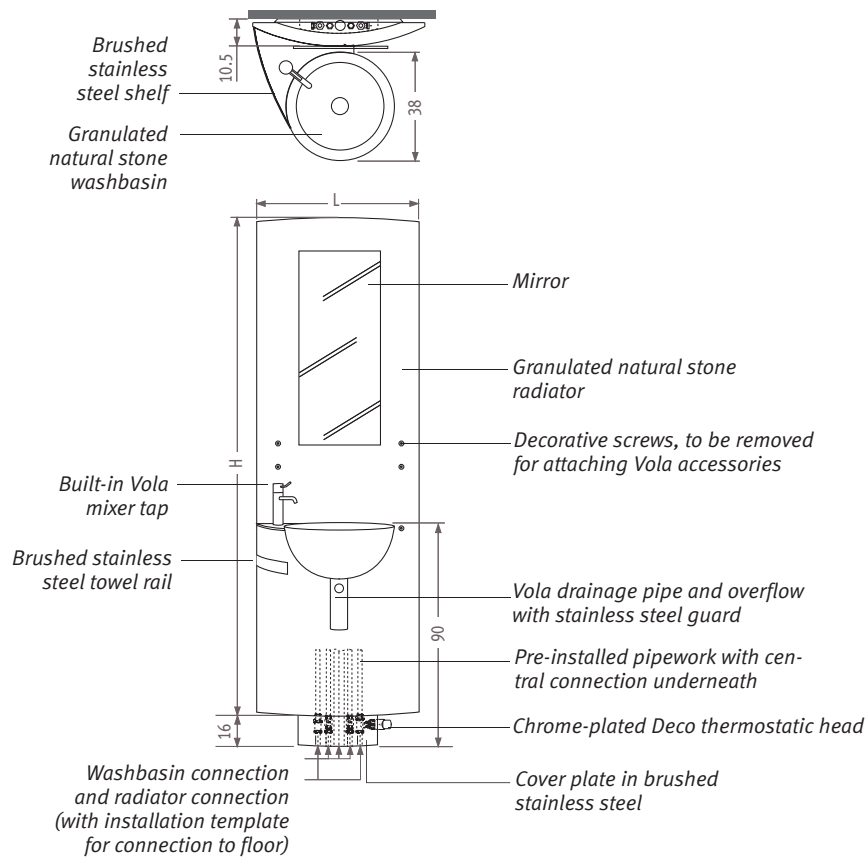
*Geo Mosis*



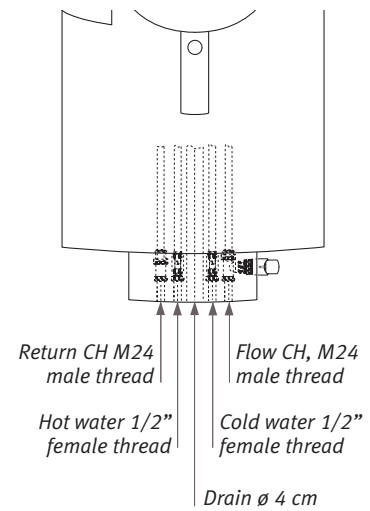
# Geo Mosis

## Dimensions

### MOSW\_Mosis Wall



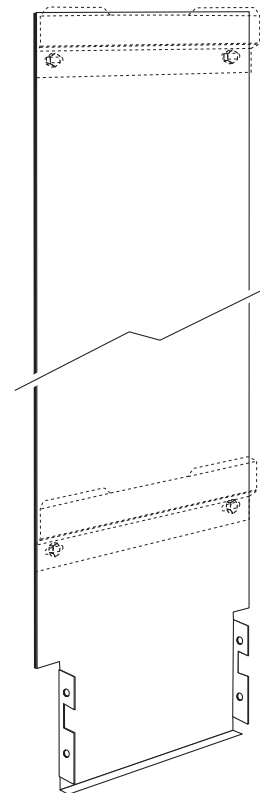
## Connections



ATTENTION: flow always on the right hand side!

Connection to the floor with installation template included.

### Installation template



## Outputs

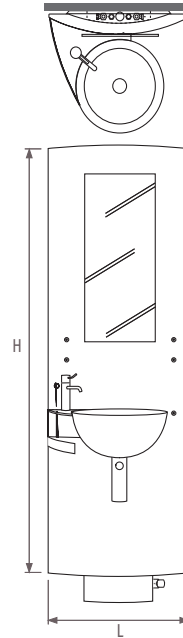
Geo Mosis		code	height	length	colour	conn.position	mixer tap
ORDERING CODE:		MOSW.	180	060.	603	/MM	/L

H	L 060	
180	75/65/20	971
	90/70/20	1219

### Standard delivery

- Mosis with built-in connections for the radiator and the washbasin, lockshield, thermostatic valve and chrome-plated thermostatic head
- Lockshields for sanitary connections
- shields for warm and cold water
- built-in Vola mixer tap
- washbasin made from granulated natural stone
- Vola drainage pipe / overflow with stainless steel guard
- simple assembly and connection system
- brushed stainless steel tablet
- brushed stainless steel towel rail
- mirror with fixings
- installation template for connections to the floor, with brushed stainless steel guard
- stainless steel wall fixings, incl. screws and plugs
- chrome-plated air vent 1/8"

Standard colour:  
- black 603



*The mixer tap, the tablet and the towel rail can be mounted left or right: add to the code /L (left) or /R (right).*

## Options

### Vola options

CODE	description
9094.20	Vola soap dish
9094.21	Vola soap dispenser
9094.22	Vola tooth brush holder with glass <b>OO</b>



Output measured in accordance with EN442, at a water temperature of 75/65 and a room temperature of 20°C ( $\Delta T=50$ ).